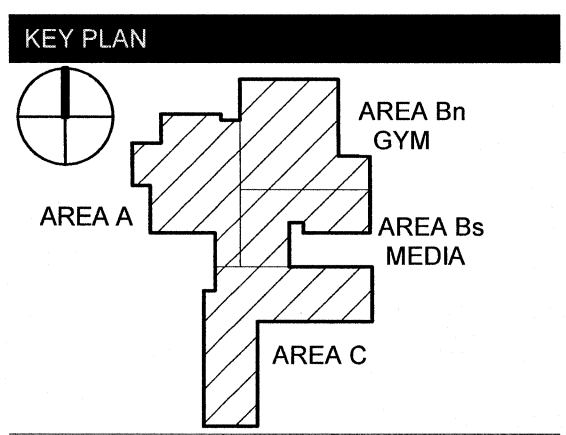


**TOWN CREEK MIDDLE SCHOOL**

6370 LAKE PARK DRIVE SE  
WINNABOW, NC 28479



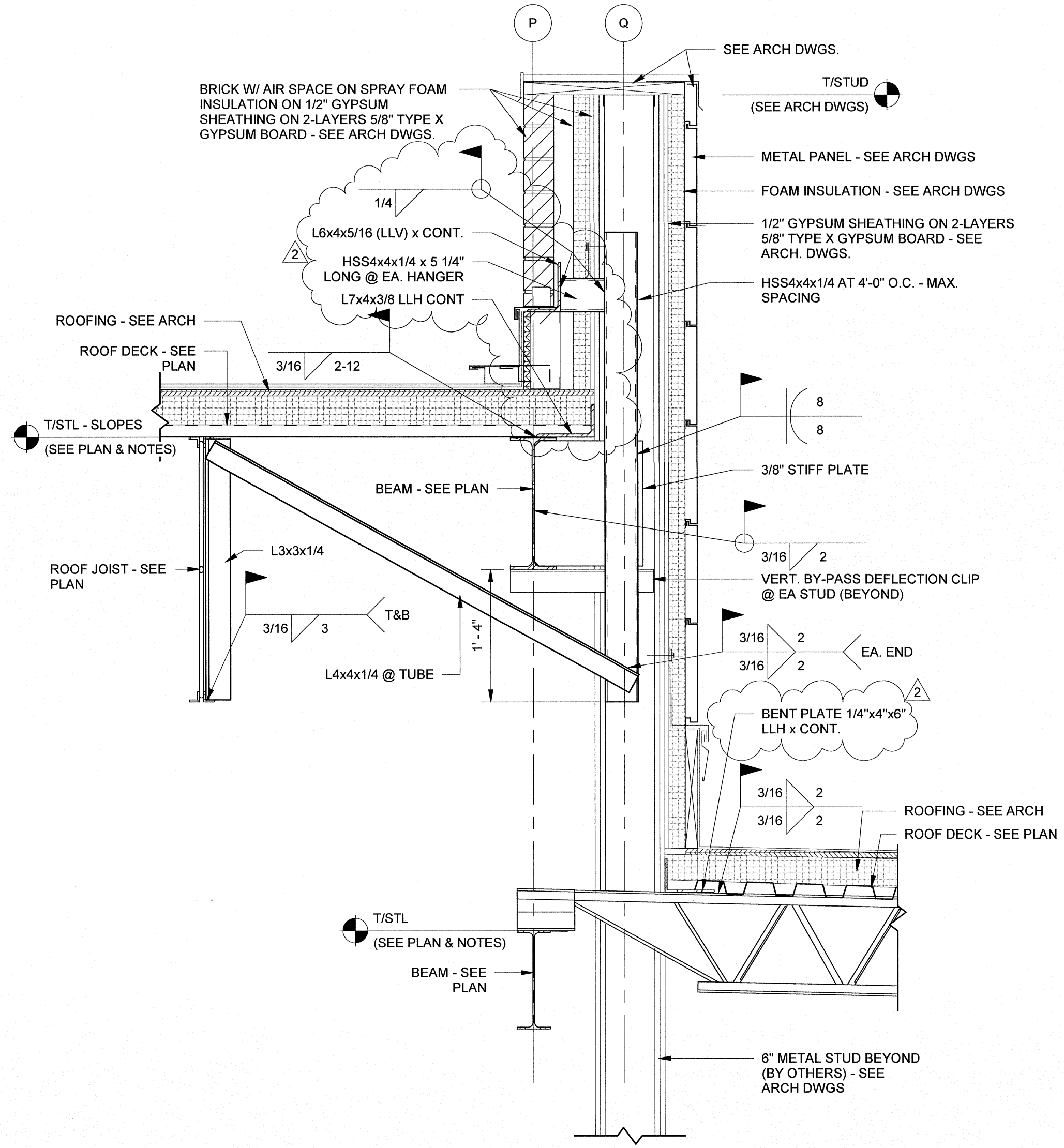
**REVISIONS**

No.	Description	Date
2	Addendum #2	6/18/18

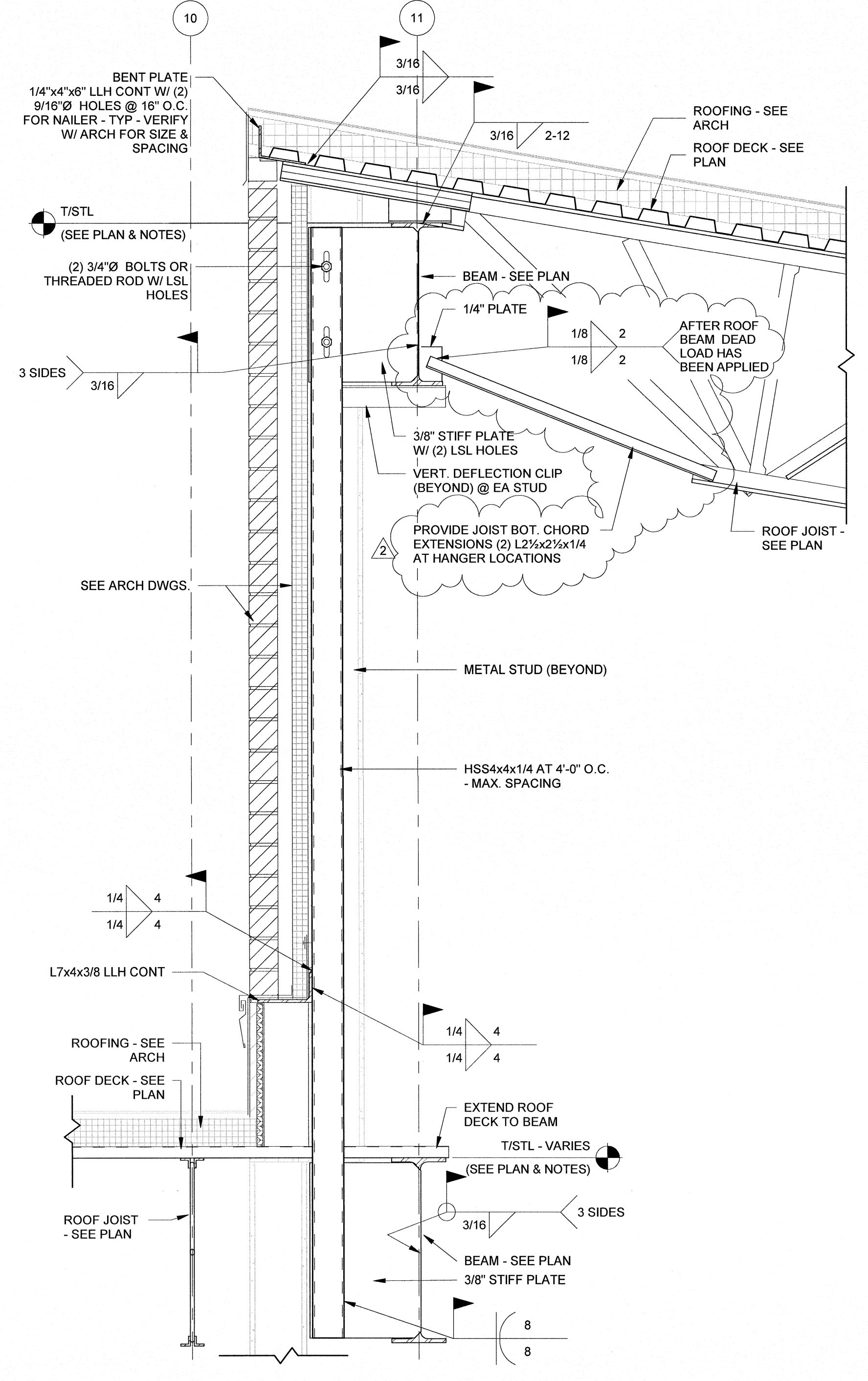
**ISSUED: CONSTRUCTION DOCUMENTS**

**DATE:** 05/24/2018  
**SCALE:** 1" = 1'-0"  
**SHEET NAME:** ROOF FRAMING SECTIONS

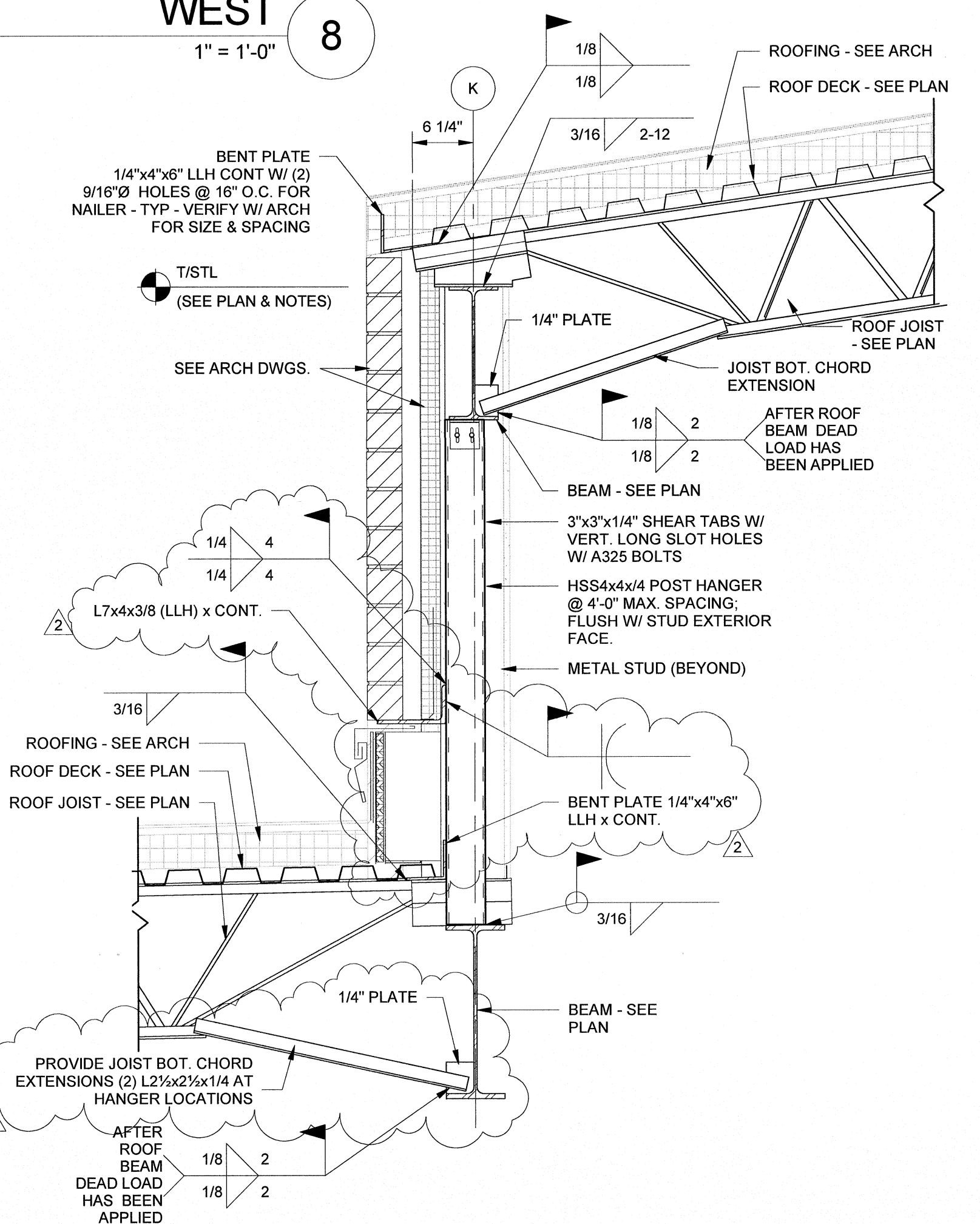
**SHEET NUMBER:**  
**S-509**



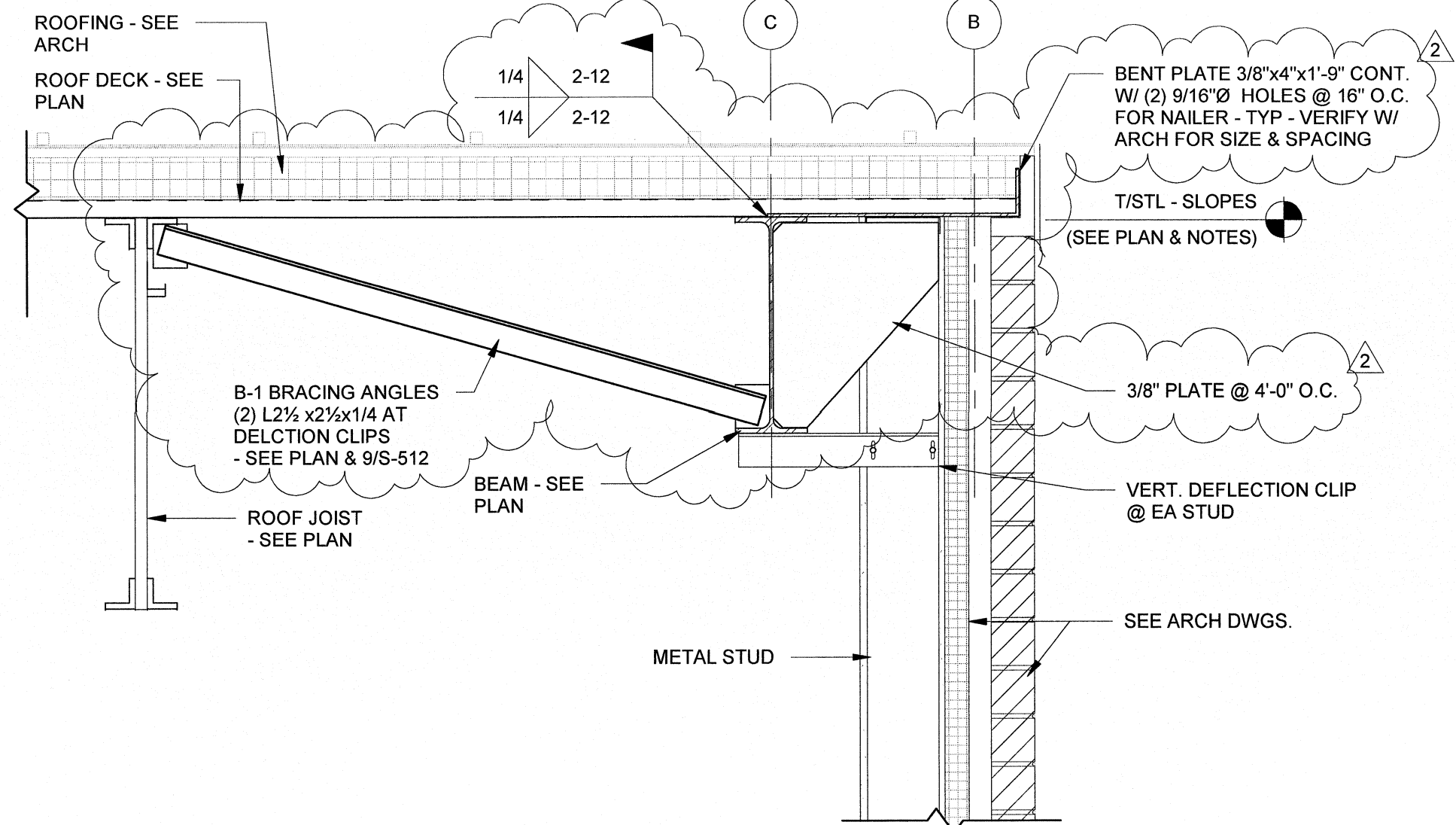
**AREA A - ROOF FRAMING SECTION @ DINING & Bs** 5  
1" = 1'-0"



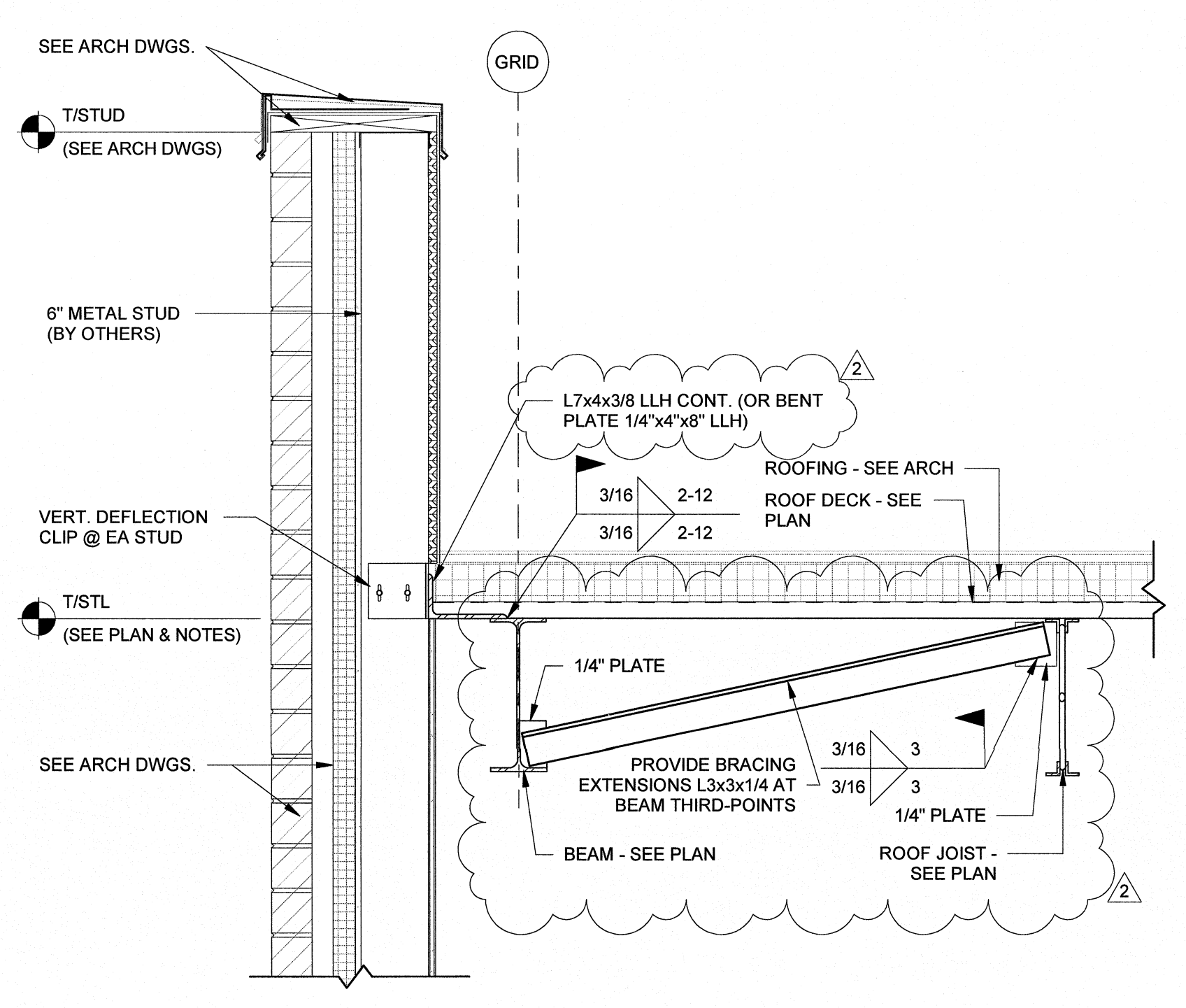
**AREA A - ROOF FRAMING SECTION @ DINING & KITCHEN** 6  
1" = 1'-0"



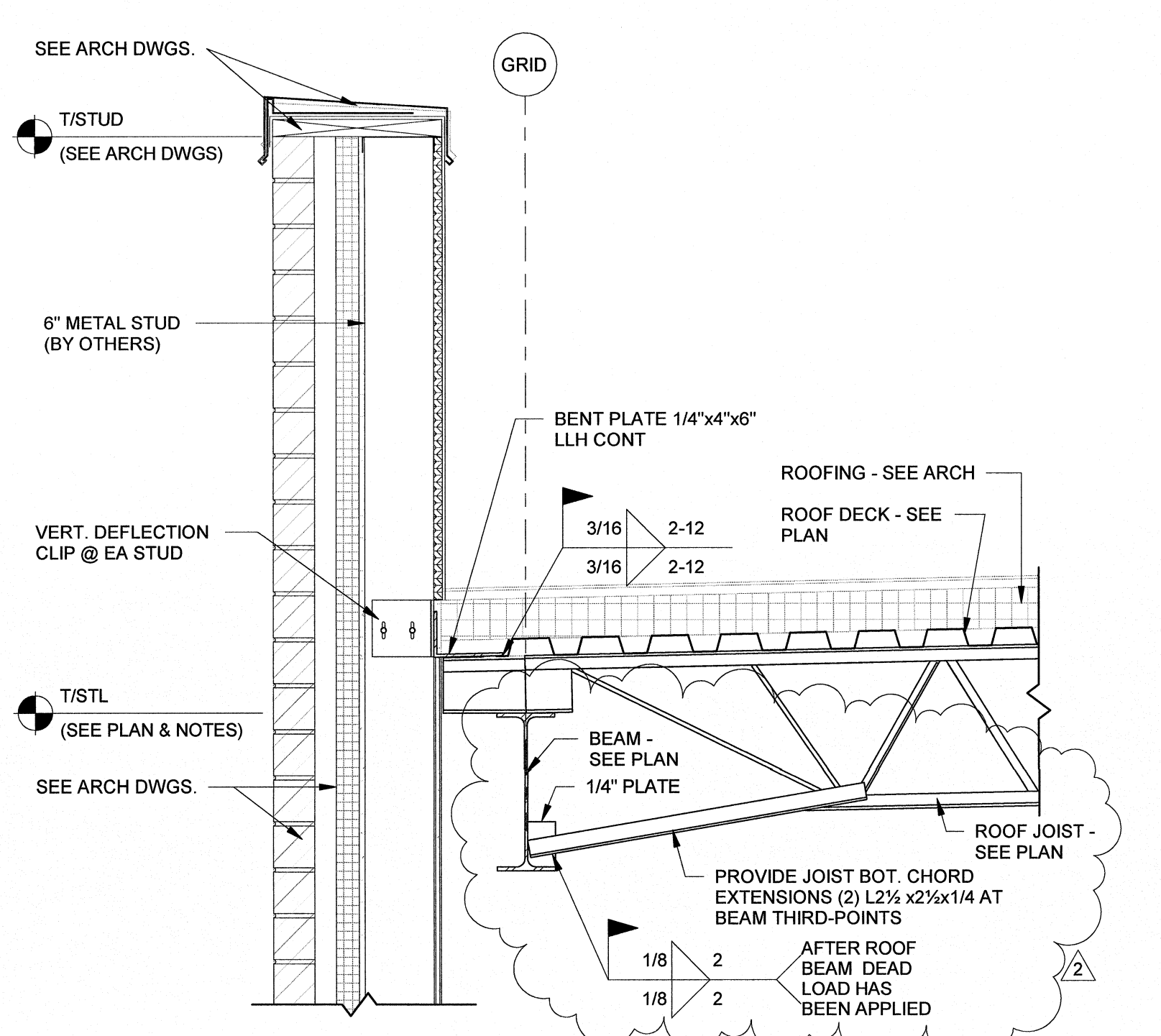
**AREA A - ROOF FRAMING SECTION @ ADMIN BRICK LEDGER** 7  
1" = 1'-0"



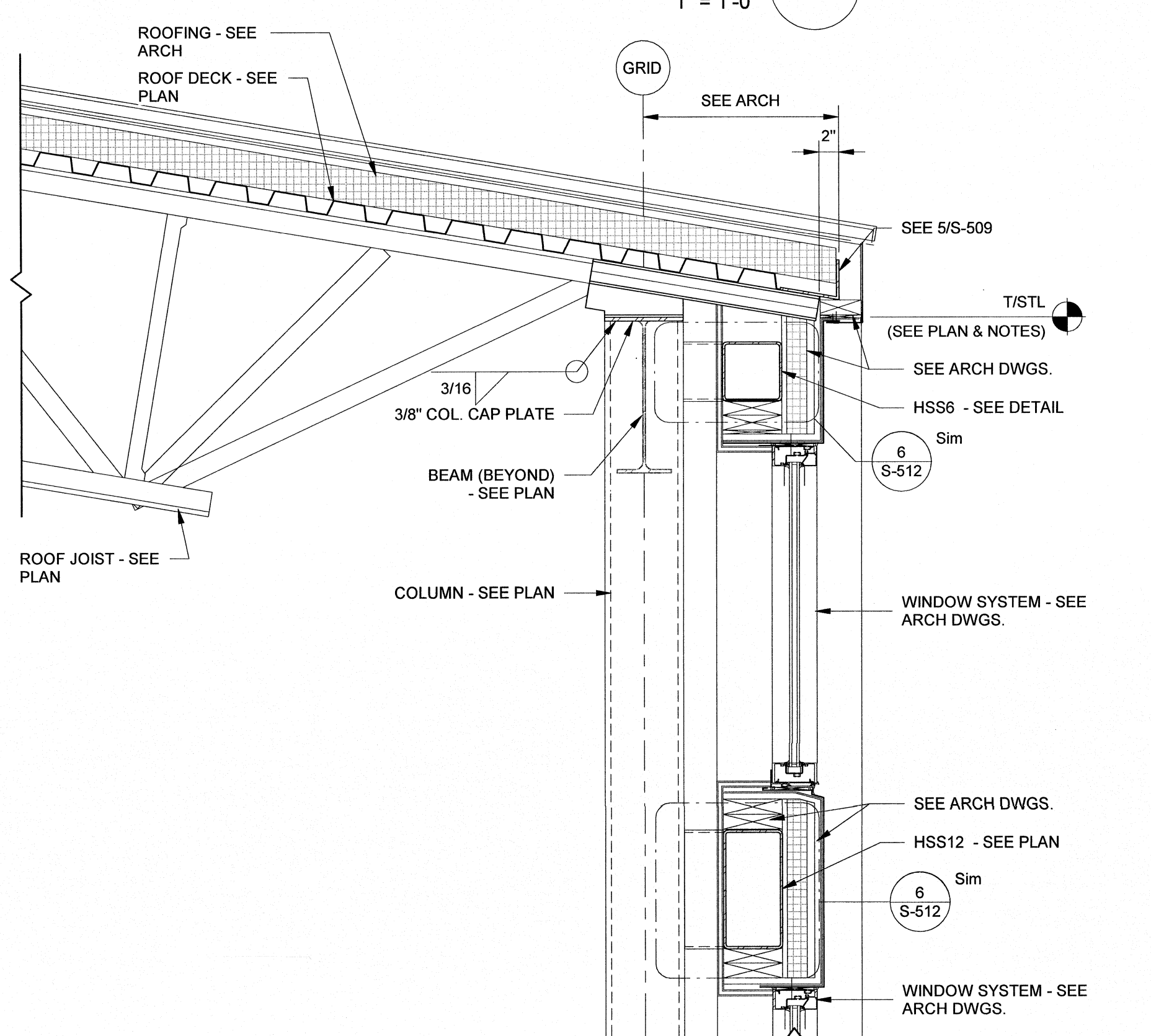
**AREA A - ROOF FRAMING SECTION @ DINING WEST** 8  
1" = 1'-0"



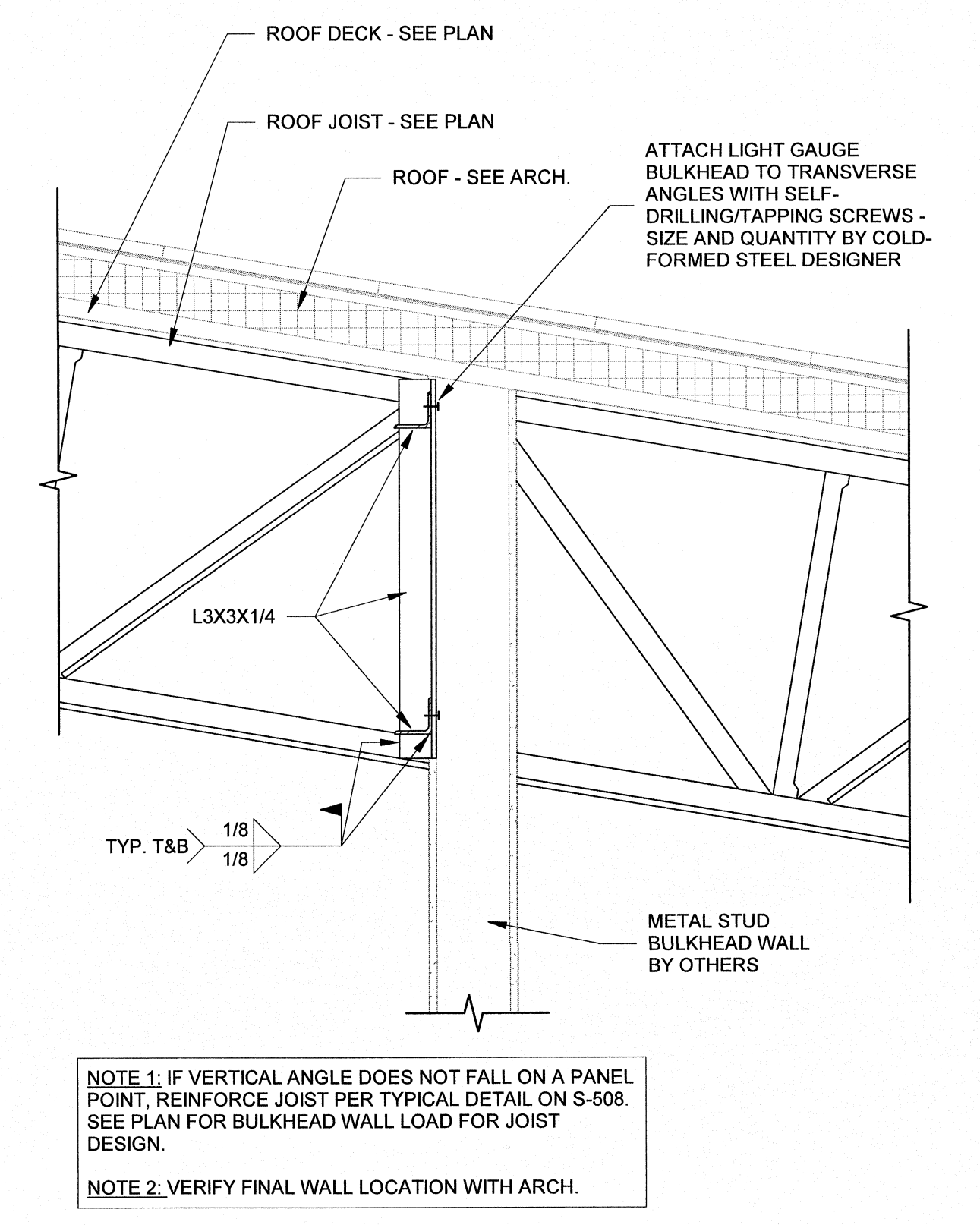
**AREA A - ROOF FRAMING SECTION PARALLEL** 1  
1" = 1'-0"



**AREA A - ROOF FRAMING SECTION PERP.** 2  
1" = 1'-0"



**AREA A - ROOF FRAMING SECTION @ DINING COL** 3  
1" = 1'-0"



**AREA A - DINING ROOM BULKHEAD** 4  
1" = 1'-0"

DRAWN BY: NEW CONSULTING ENGINEERS  
 PROJECT NUMBER: 1720601.00  
 6/18/2018 8:29:53 PM