

**Owner**  
BRUNSWICK COUNTY SCHOOLS  
199 SESSIONS DRIVE  
BOLIVIA, NC 28422  
910.253.2900 office  
www.bcswan.net

**Civil Engineer**  
MCGILL ASSOCIATES  
712 VILLAGE ROAD SW, SUITE 103  
SHALLOTTE, NC 28470  
910.755.5872 office  
www.mcgillengineer.com

**Structural Engineer**  
CRISER TROUTMAN TANNER  
3809 Peachtree Ave., Suite 502  
WILMINGTON, NC 28403  
910.397.2971 office  
www.ctengineering.com

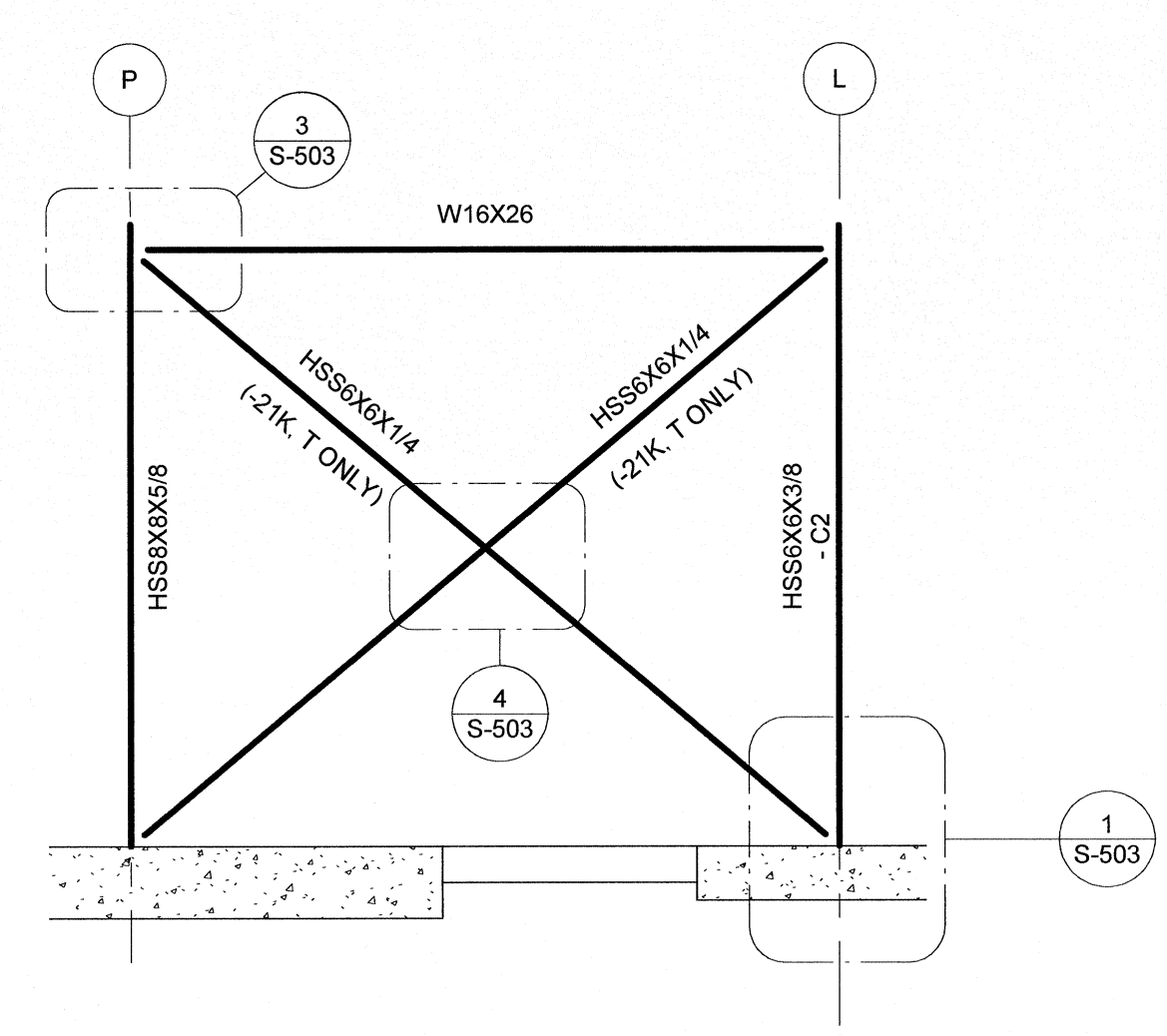
**MEP Engineer**  
KSO DESIGN  
2115 REXFORD ROAD, SUITE 500  
CHARLOTTE, NC 28211  
704.364.3400 office  
www.ksq.design

**Electrical Consultant**  
Quality Consulting Engineers, PLLC  
6277-600 Carolina Commons Drive, #350  
Indian Land SC 29107  
(p) 803.207.5450 office  
d.jones@qualityconsultingengineers.com

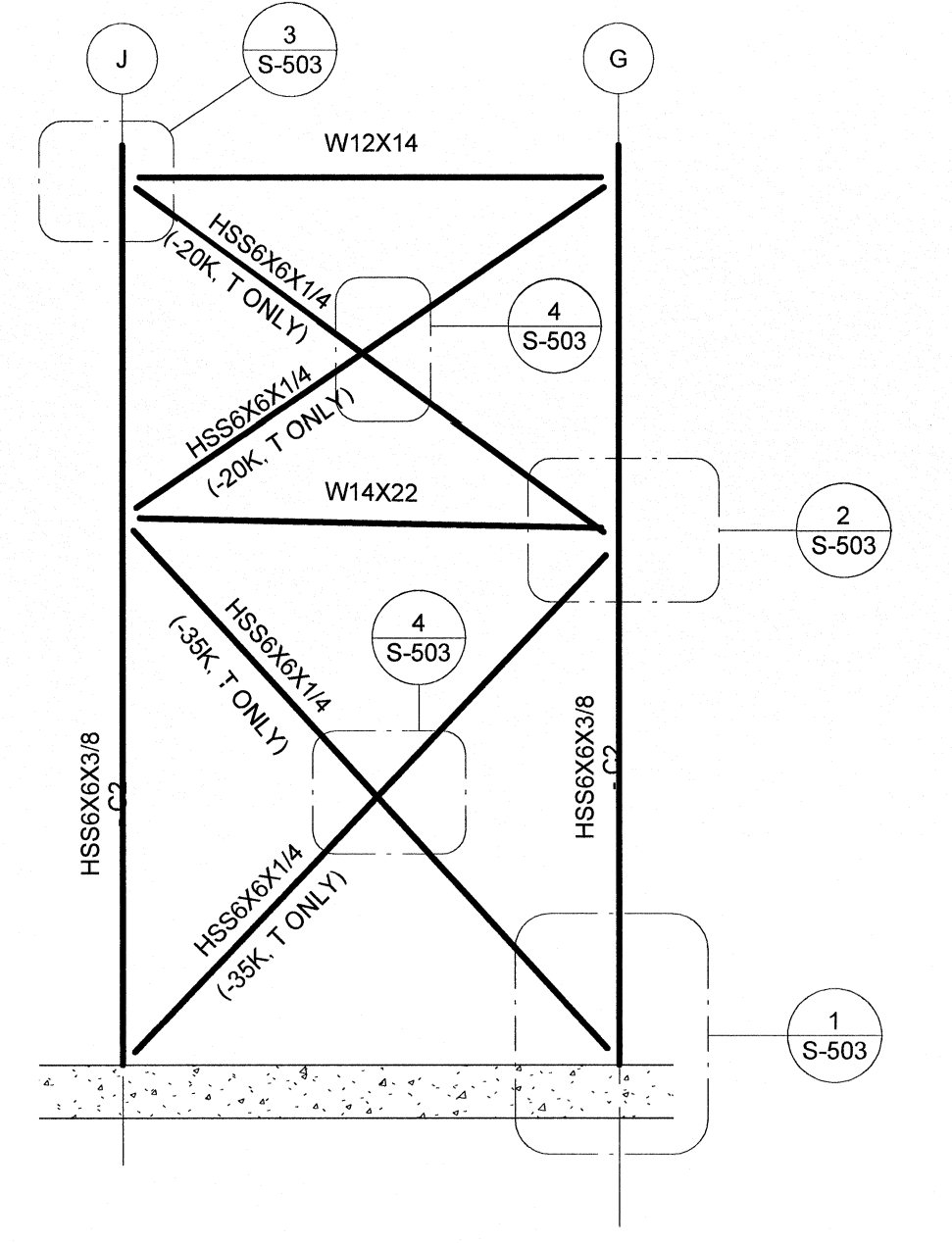
**Acoustic & Technology Consultant**  
THORBURN ASSOCIATES  
401 N. TYSON STREET, 10TH FLOOR  
CHARLOTTE, NC 28202  
910.886.7826 office  
www.ta-inc.com

**Building Envelope Consultant**  
SKA ENGINEERING  
7741 MARKET STREET, SUITE F  
WILMINGTON, NC 28411-9444  
910.442.2000 office  
www.skaeng.com

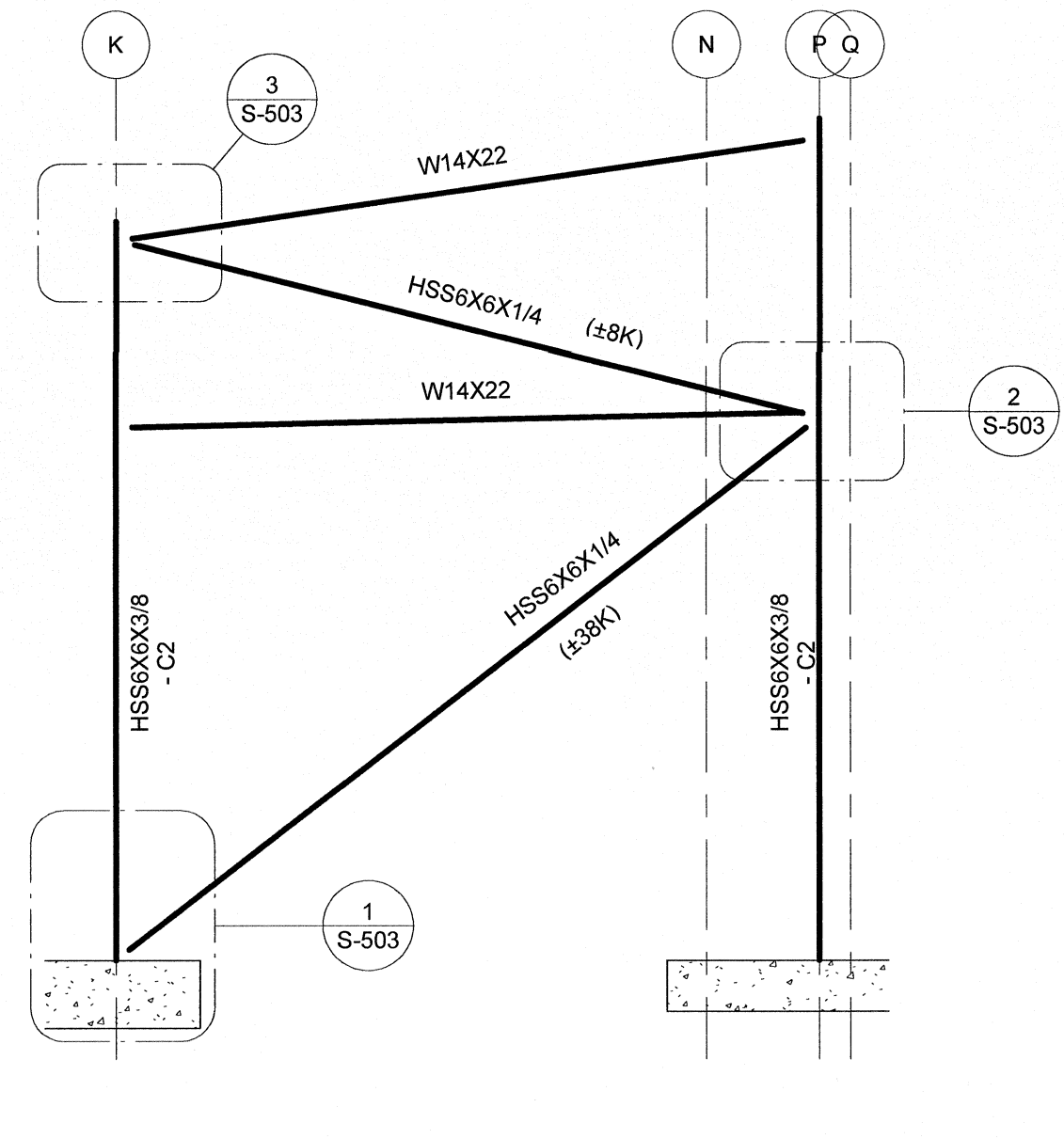
**Food Service Consultant**  
HERBIN DESIGN  
7325 DORN CIRCLE  
CHARLOTTE, NC 28212-6914  
704.900.0922  
www.herbin.com



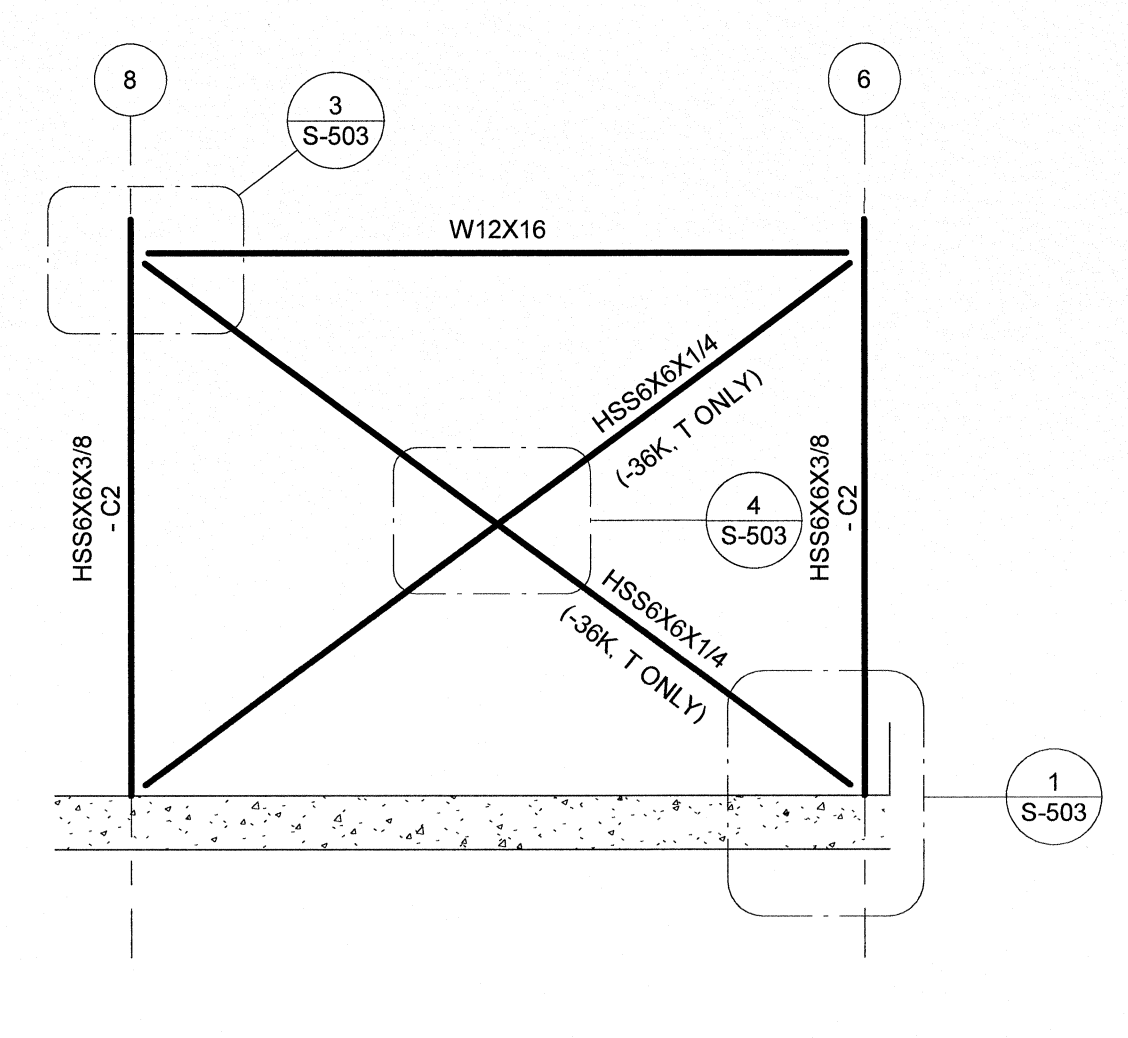
AREA A - BRACE ELEVATION G  
3/16" = 1'-0"



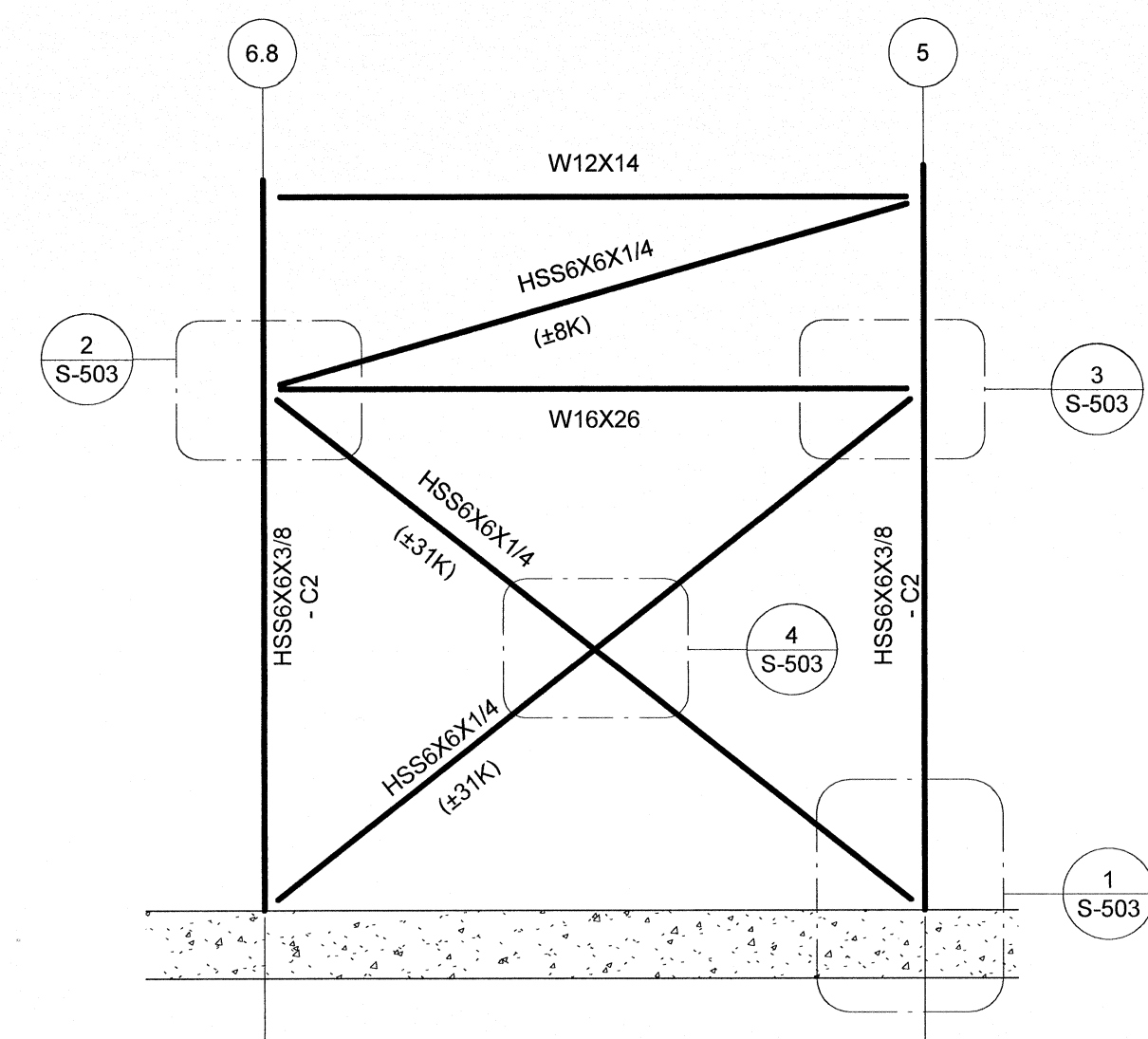
AREA A - BRACE ELEVATION F  
3/16" = 1'-0"



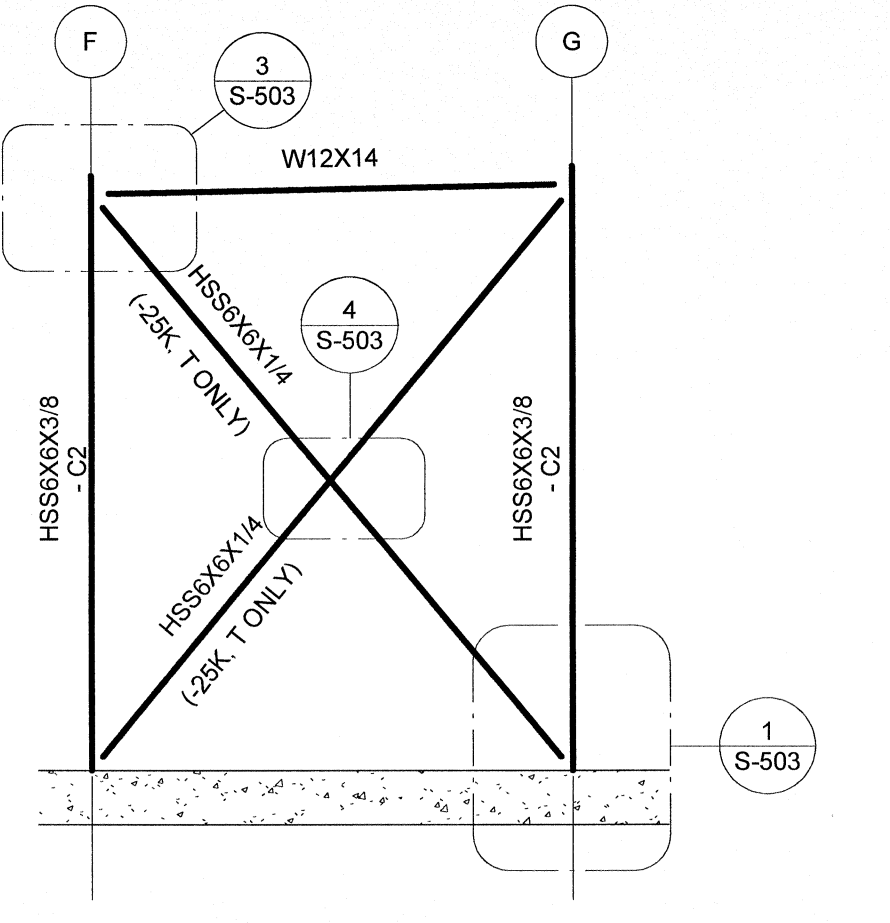
AREA A - BRACE ELEVATION E  
3/16" = 1'-0"



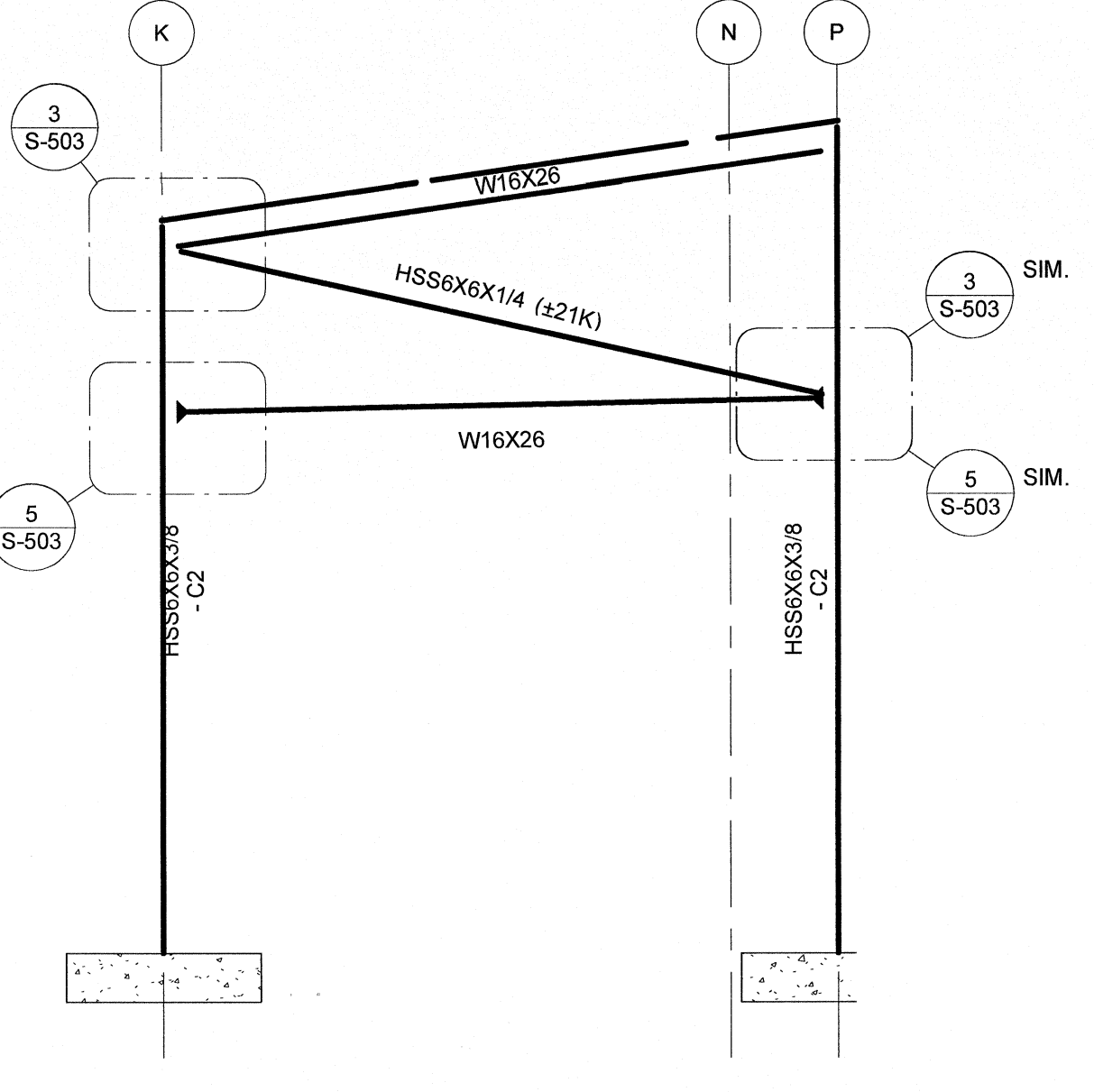
AREA A - BRACE ELEVATION D  
3/16" = 1'-0"



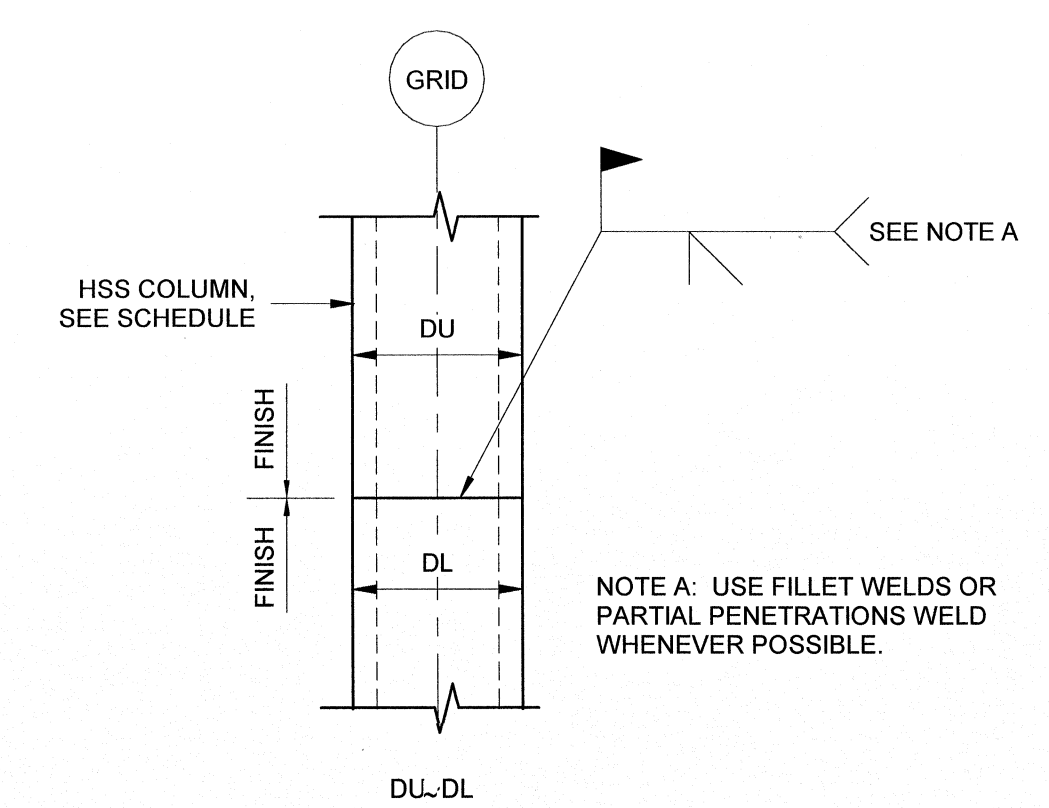
AREA A - BRACE ELEVATION C  
3/16" = 1'-0"



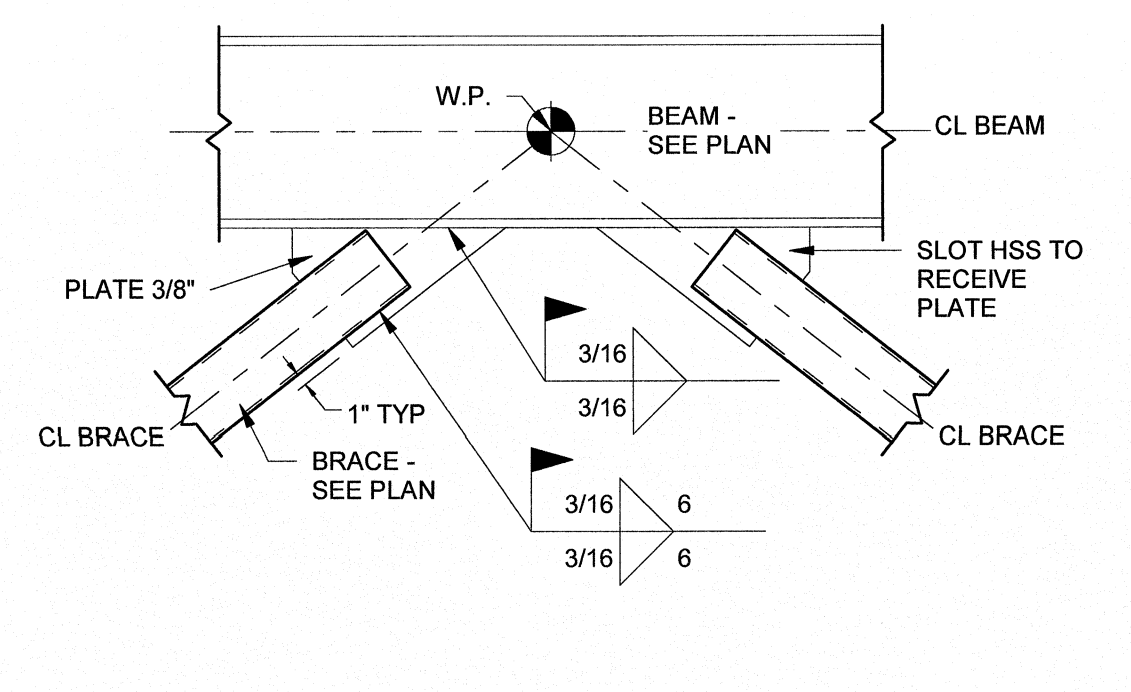
AREA A - BRACE ELEVATION B  
3/16" = 1'-0"



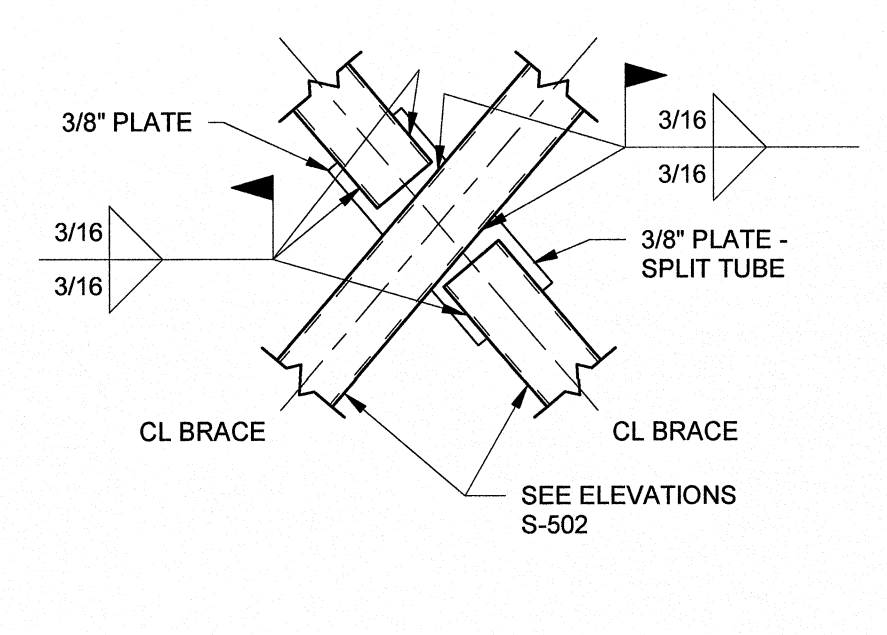
AREA A - BRACE ELEVATION A  
3/16" = 1'-0"



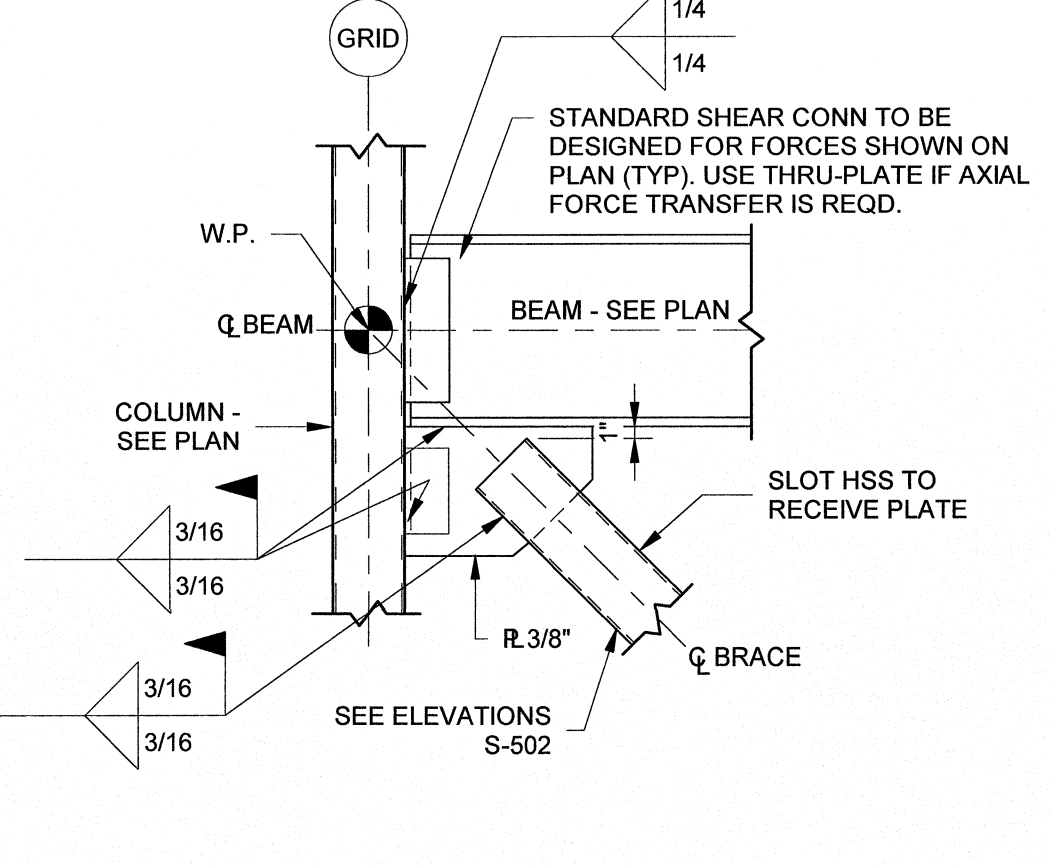
TYPICAL COLUMN SPLICE DETAIL  
1 1/2" = 1'-0"



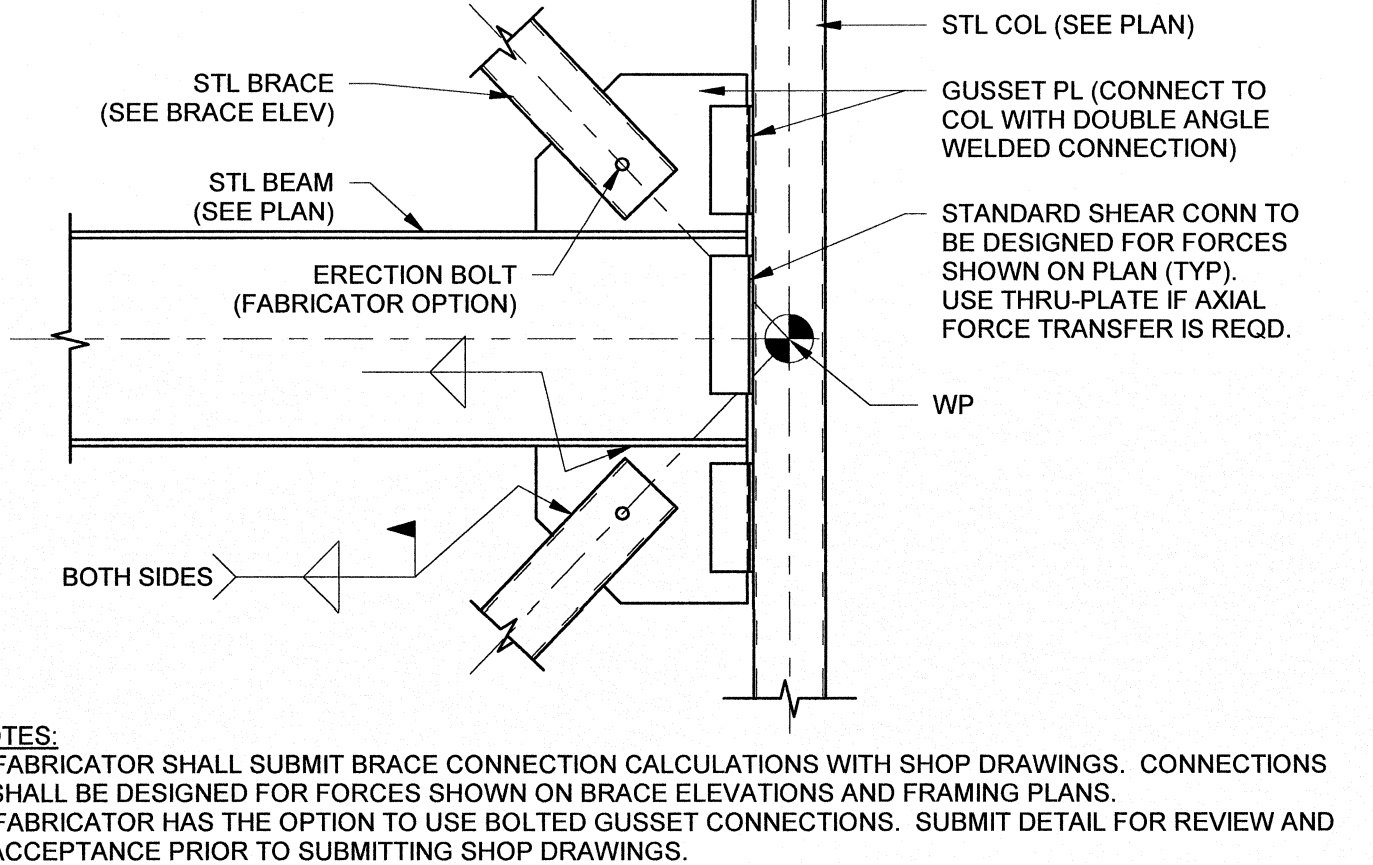
K-BRACE DETAIL  
3/4" = 1'-0"



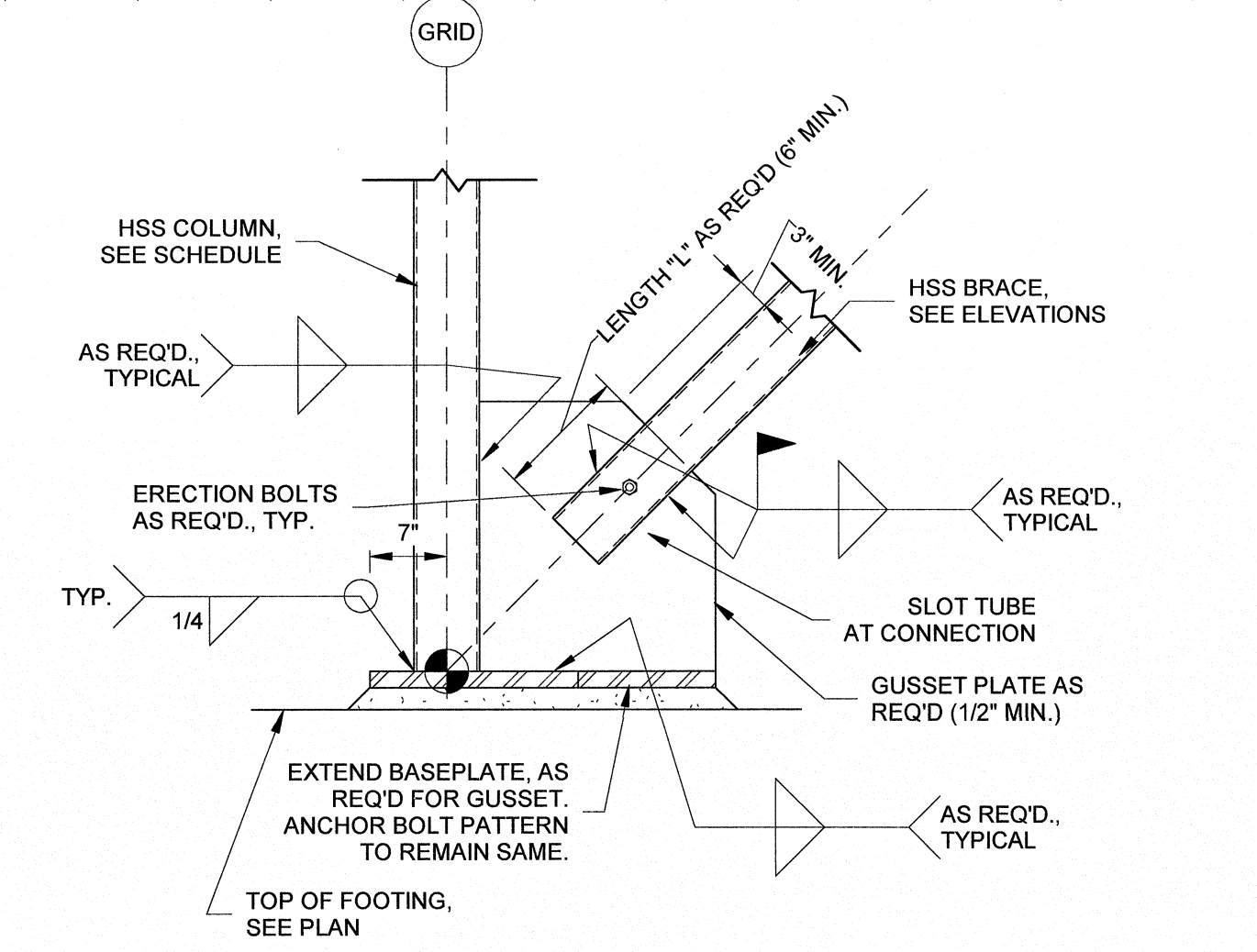
X-BRACE DETAIL  
3/4" = 1'-0"



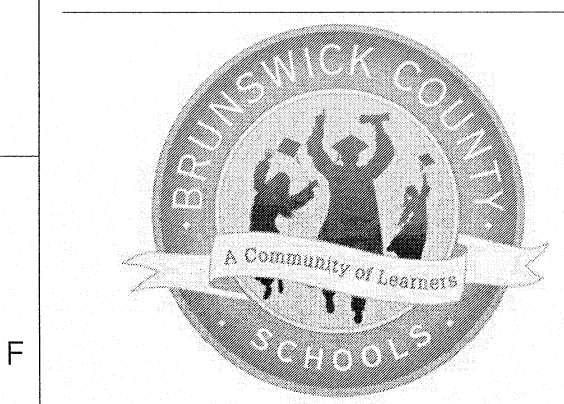
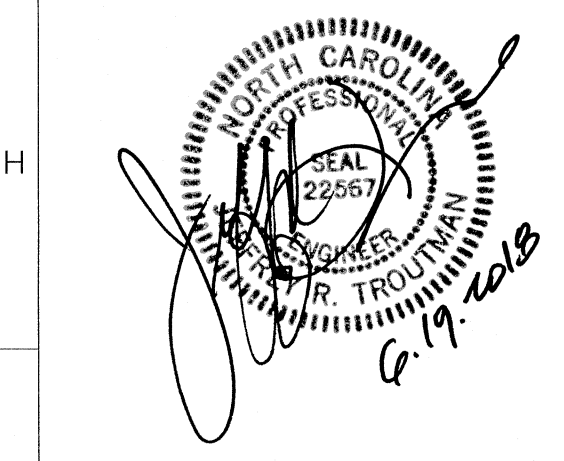
BRACE VF-1 DETAIL  
3/4" = 1'-0"



BEAM TO HSS COL W/ BRACE CONN.  
3/4" = 1'-0"

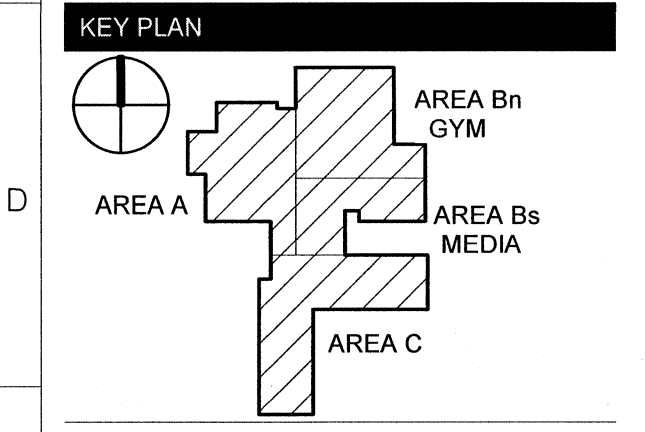


HSS COL BASE W/ BRACE CONNECTION  
3/4" = 1'-0"



**TOWN CREEK MIDDLE SCHOOL**

6370 LAKE PARK DRIVE SE  
WINNABOW, NC 28479



**REVISIONS**

No.	Description	Date
2	Addendum #2	6/19/18

**ISSUED: CONSTRUCTION DOCUMENTS**

DATE: 05/24/2018  
SCALE: As indicated  
SHEET NAME: BRACE DETAILS & BRACING ELEVATIONS  
SHEET NUMBER: