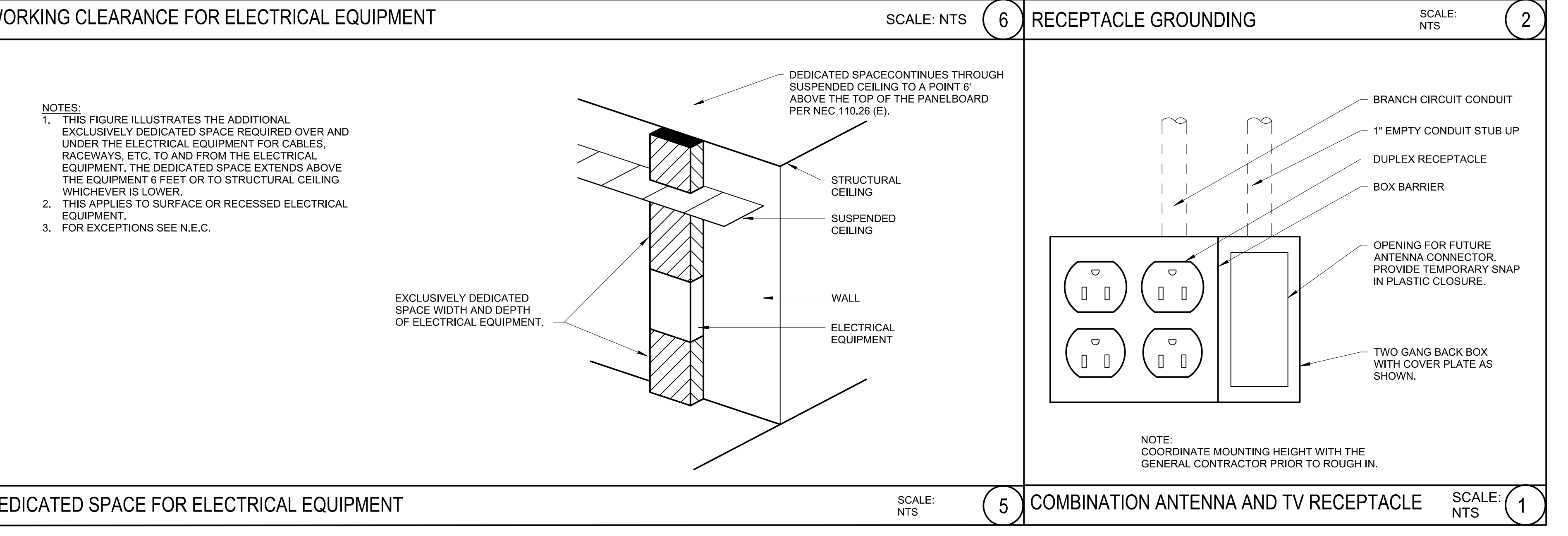
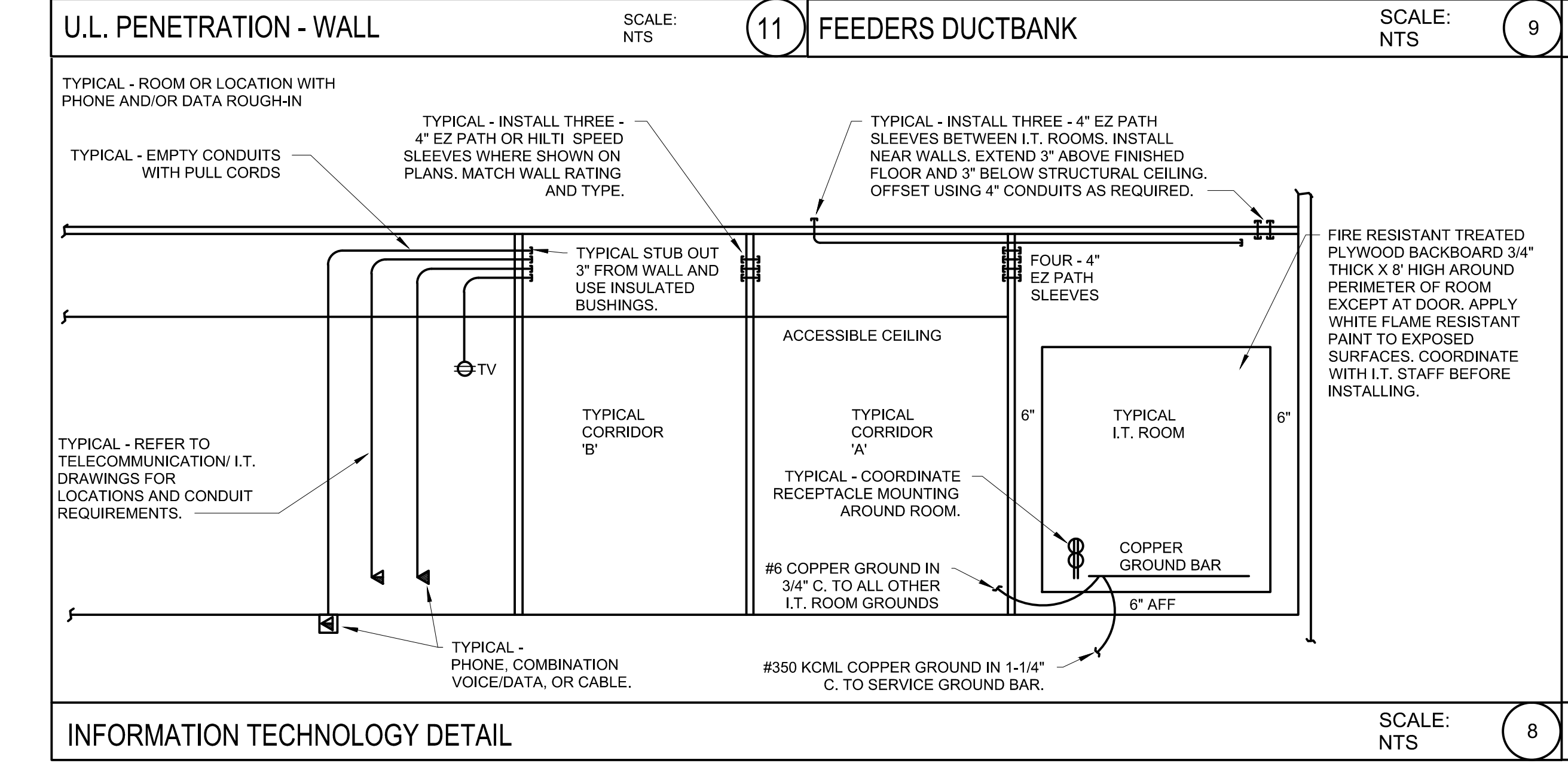
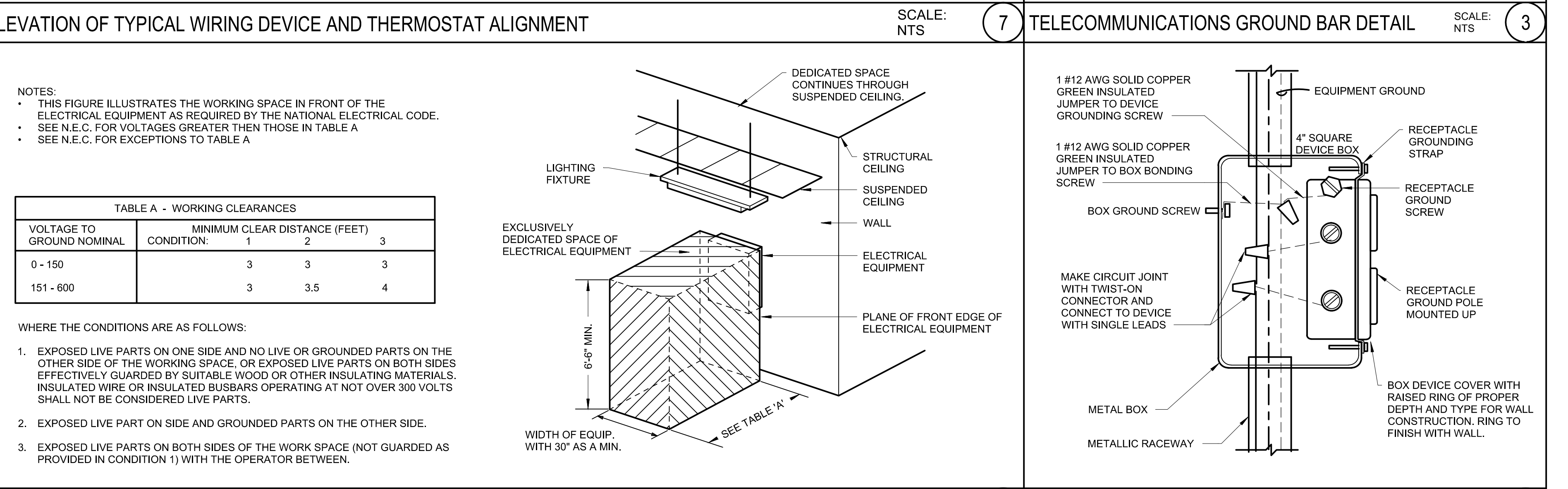
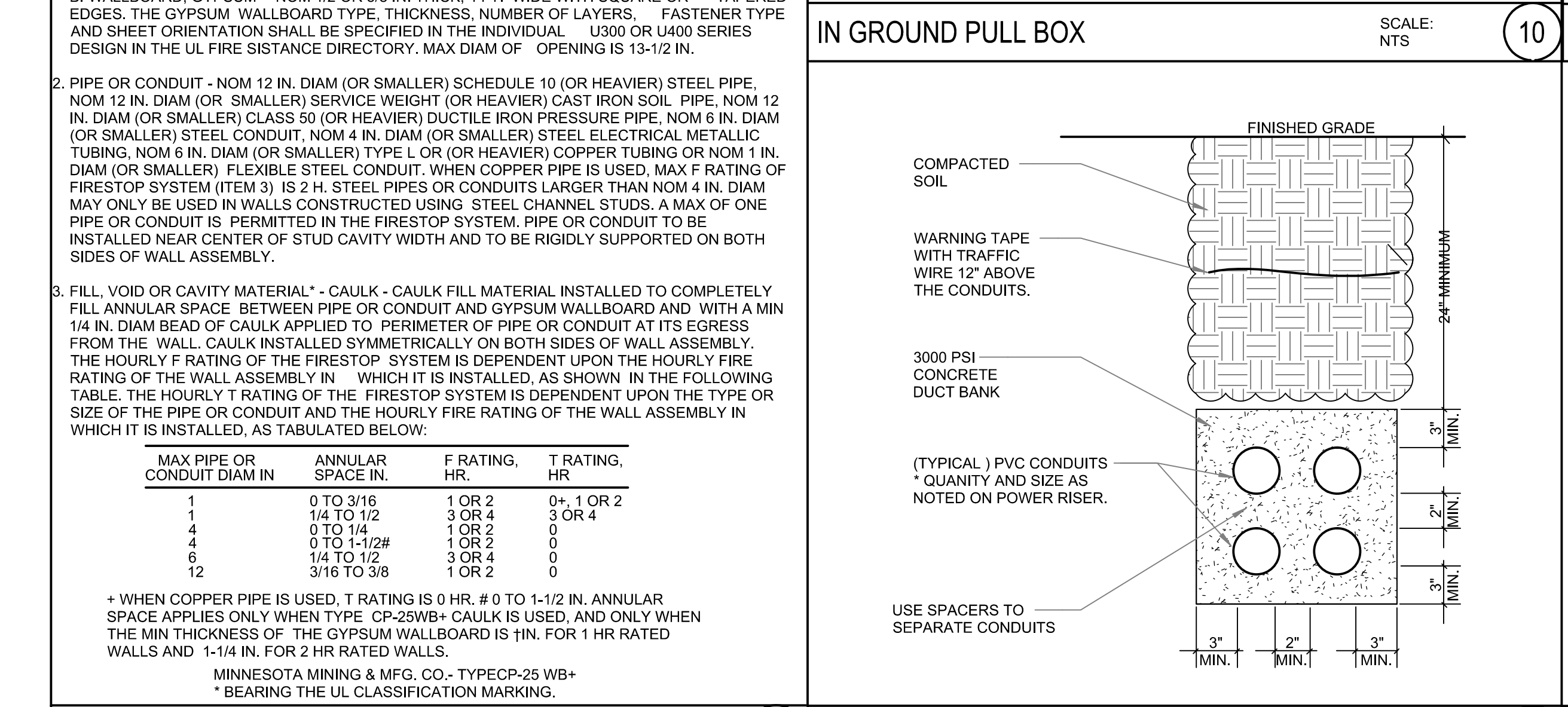
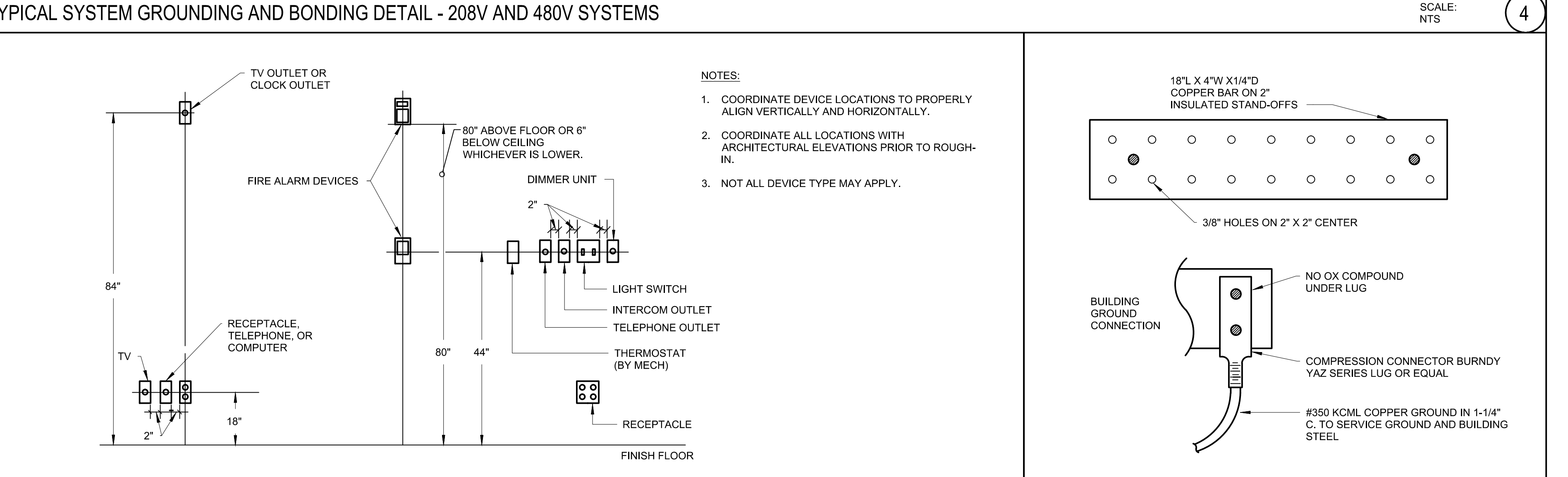
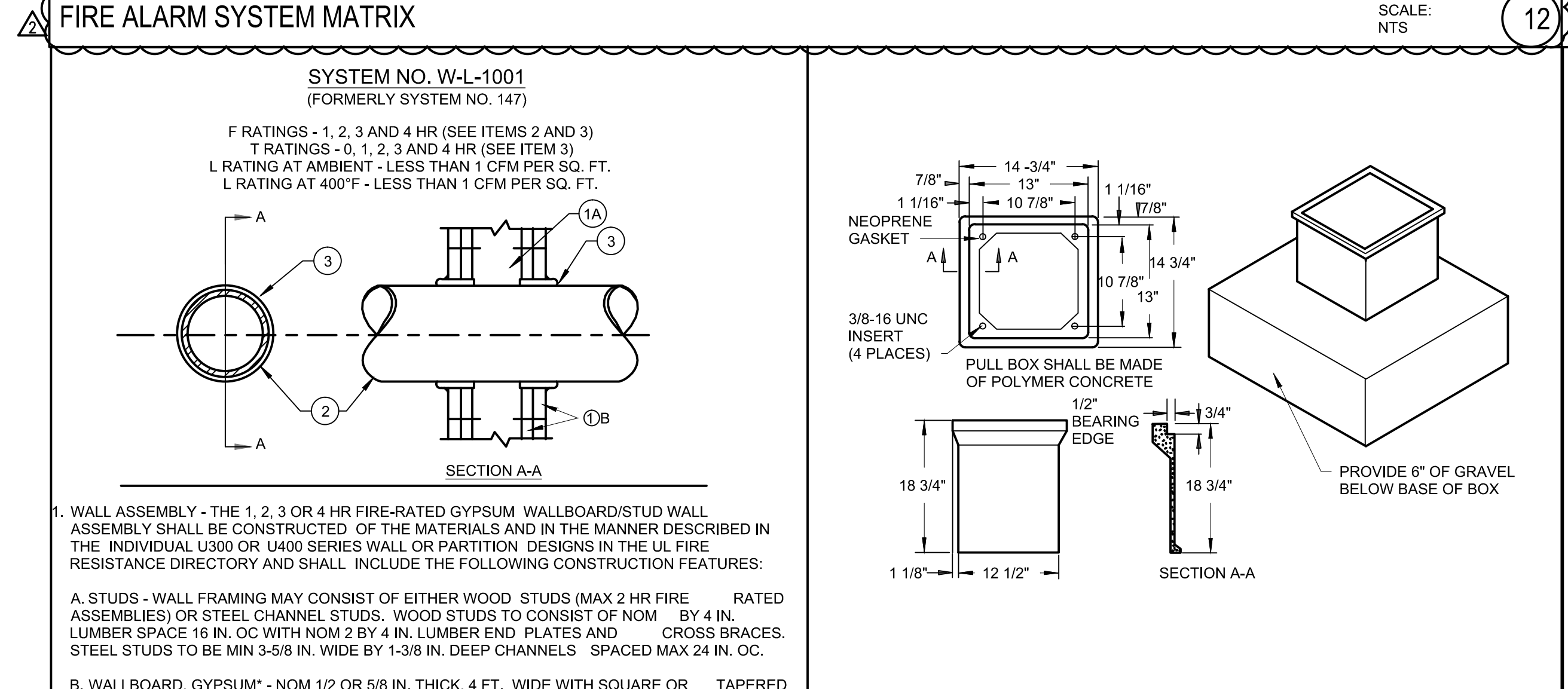
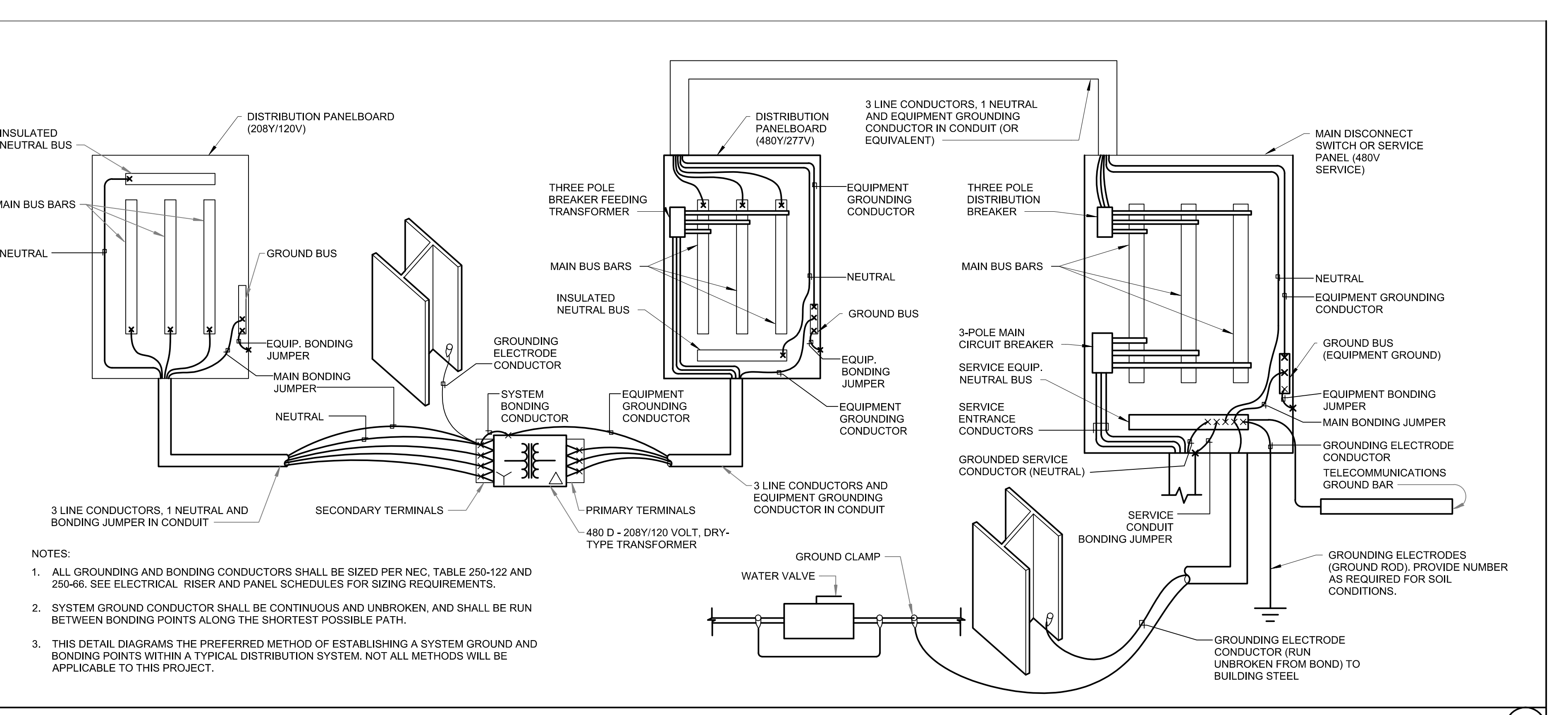


FA SYSTEM MATRIX		BUILDING SYSTEM OUTPUTS										CENTRAL FIRE STATION	
		ACTUAL COMMON MAIN SIGNAL INDICATOR	ACTUAL COMMON MAIN SIGNAL INDICATOR	ACTUAL COMMON MAIN SIGNAL INDICATOR	ACTUAL COMMON MAIN SIGNAL INDICATOR	ACTUAL COMMON MAIN SIGNAL INDICATOR	ACTUAL COMMON MAIN SIGNAL INDICATOR	ACTUAL COMMON MAIN SIGNAL INDICATOR	ACTUAL COMMON MAIN SIGNAL INDICATOR	ACTUAL COMMON MAIN SIGNAL INDICATOR	ACTUAL COMMON MAIN SIGNAL INDICATOR	ACTUAL COMMON MAIN SIGNAL INDICATOR	
BUILDING SYSTEM INPUTS													
MANUAL PULL STATION		X	X				X	X	X	X	X	X	X
BUILDING SMOKE DETECTOR		X	X				X	X	X	X	X	X	X
DUCT SMOKE DETECTOR (*)		X	X				X	X	X	X	X	X	X
SPRINKLER WATERFLOW OR PRESSURE SWITCHES		X	X				X	X	X	X	X	X	X
SPRINKLER TAMPER SWITCHES		X	X				X	X	X	X	X	X	X
FIRE PUMP RUNNING		X	X				X	X	X	X	X	X	X
FIRE PUMP AC FAILURE		X	X				X	X	X	X	X	X	X
FIRE PUMP PHASE REVERSAL		X	X				X	X	X	X	X	X	X
AC POWER FAILURE		X	X				X	X	X	X	X	X	X
SYSTEM LOW BATTERY		X	X				X	X	X	X	X	X	X
OPEN CIRCUIT		X	X				X	X	X	X	X	X	X
GROUND FAULT		X	X				X	X	X	X	X	X	X
NOTIFICATION APPLIANCE CIRCUIT SHORT		X	X				X	X	X	X	X	X	X

\* - PROGRAM AS SUPERVISORY UNLESS OTHERWISE REQUIRED BY LOCAL AHJ TO BE A GENERAL ALARM



**ksqdesign**  
NEW YORK TEXAS OKLAHOMA COLORADO NORTH CAROLINA SOUTH CAROLINA

**KSQ Design**  
1930 CAMDEN ROAD, SUITE 260  
CHARLOTTE, NC 28203  
704.364.3400 office  
704.364.7080 fax  
www.ksqdesign.com

**Owner**  
**BRUNSWICK COUNTY SCHOOLS**  
199 SESSIONS DRIVE  
BOLIVIA, NC 28422  
910.253.2600 office  
www.bcswn.net

**Civil Engineer**  
MCGILL ASSOCIATES  
712 VILLAGE ROAD SW, SUITE 103  
SHALLOTTE, NC 28470  
910.803.207-5450  
www.mcgillengineer.com

**Structural Engineer**  
CRISER, TROUTMAN, TANNER  
3809 PEACHTREE AVE., SUITE 102  
WILMINGTON, NC 28403  
910.397.2971 office  
www.ctengineering.com

**MP Engineer**  
KSQ DESIGN  
1930 CAMDEN ROAD, SUITE 260  
CHARLOTTE, NC 28203  
704.364.3400 office  
www.ksqdesign.com NC-ENG-LICENSE NO.: C-4064

**Electrical Engineer**  
Quality Consulting Engineers, PLLC  
6277-600 Carolina Commons Dr. #50  
Indian Land SC 29707  
(910) 803-207-5450  
NC Engineering License #P-1184

**Acoustic & Technology Consultant**  
THORBURN ASSOCIATES  
401 N. TYRON STREET, 10TH FLOOR  
CHARLOTTE, NC 28202  
910.886.7826 office  
www.ta-hc.com

**Building Envelope Consultant**  
SKA ENGINEERING  
7741 MARKET STREET, SUITE F  
WILMINGTON, NC 28411-9444  
910.442.2000 office  
www.skaeng.com

**Food Service Consultant**  
HERBIN DESIGN  
7325 DORN CIRCLE  
CHARLOTTE, NC 28212-6914  
704.900.9922  
www.herbin.com

**Professional Engineer**  
SEAL 028708  
WALD A. JOHNSON  
Date: June 18, 2018

**BRUNSWICK COUNTY SCHOOLS**  
TOWN CREEK MIDDLE SCHOOL  
6330 LAKE PARK DRIVE SE  
WINNABOW, NC 28479

**REVISIONS**

No.	Description	Date
ADDENDUM #1		06/07/2018
ADDENDUM #2		06/18/2018

**ISSUED: CONSTRUCTION DOCUMENTS**  
**DATE:** 05/24/2018  
**SCALE:** AS SHOWN  
**SHEET NAME:** DETAILS  
**SHEET NUMBER:** E-501

PROGRESS SET FOR REVIEW ONLY - NOT FOR CONSTRUCTION