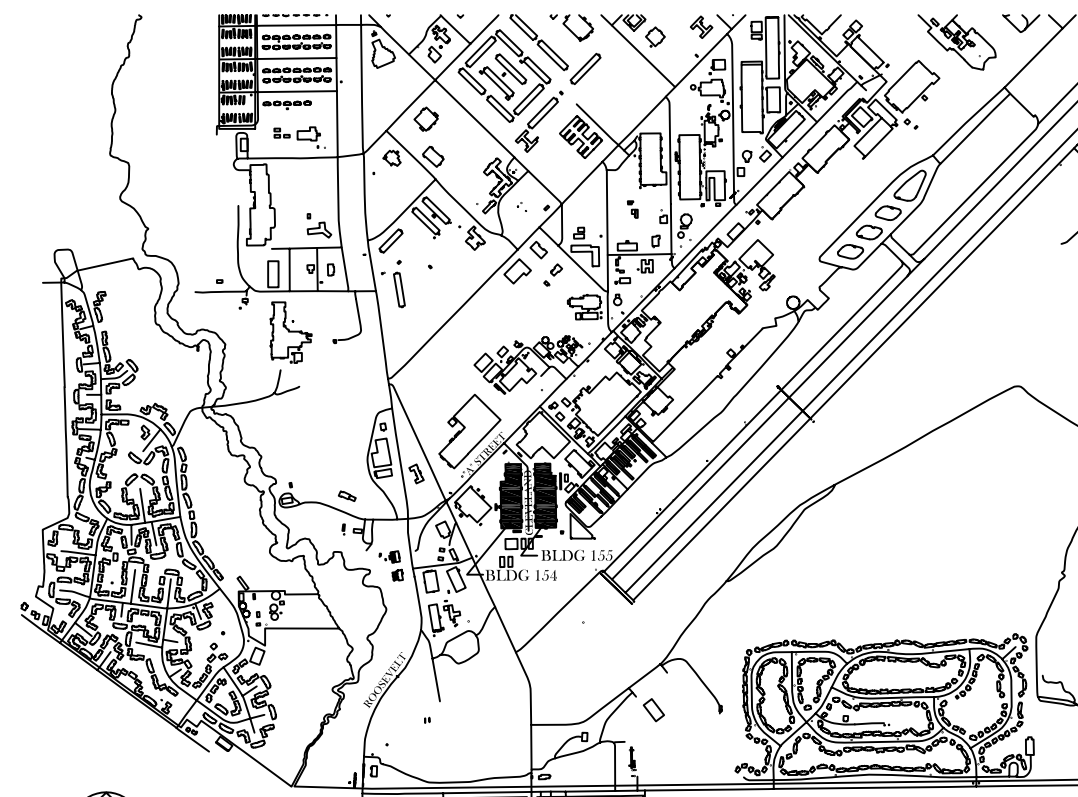


INSTALL NEW FIRE SPRINKLER AIR COMPRESSOR, BLDGS 154 & 155

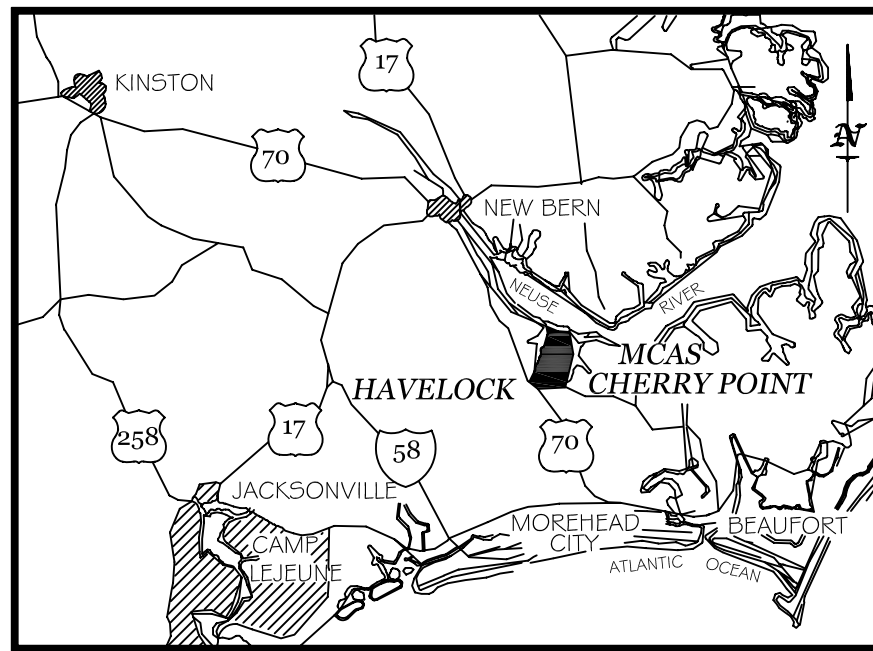
MARINE CORPS AIR STATION CHERRY POINT, NORTH CAROLINA

INDEX OF DRAWINGS

NAVFAC NO.	SHEET NO.	TITLE
12531566	G-1	TITLE SHEET
12531567	ME-1	BLDG 154 PARTIAL MECHANICAL & ELECTRICAL PLAN
12531568	ME-2	BLDG 155 PARTIAL MECHANICAL & ELECTRICAL PLAN

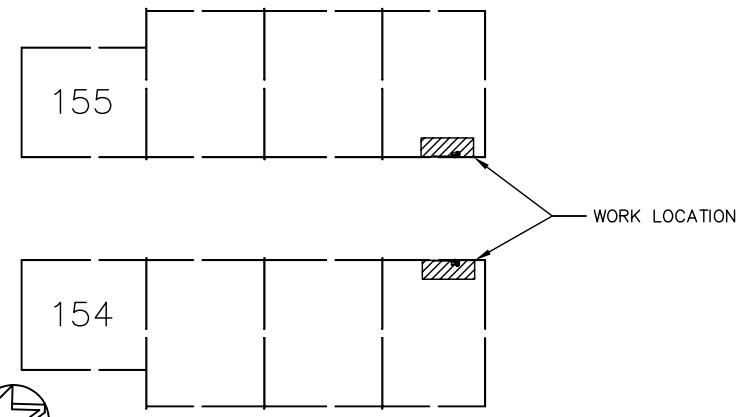


LOCATION MAP



VICINITY MAP

MECHANICAL LEGEND	ABBREVIATIONS
REMOVE EQUIPMENT, DUCTWORK AND PIPING	CFM CUBIC FEET PER MINUTE
EXISTING TO REMAIN	Ø DIAMETER
POINT OF CONNECTION—NEW TO EXISTING	GAL GALLON
POINT OF DISCONNECTION	HP HORSEPOWER
CHECK VALVE	PH PHASE
TEE	PSIG POUNDS PER SQUARE INCH GAGE
90 DEGREE ELBOW	



BLDGS 154 & 155 KEY PLAN

DATE	DESCRIPTION



final submittal

APPROVED	
ACTIVITY - SATISFACTORY TO	
DATE	
APPROVED	
FOR ETO FOR COMMANDER NAVFAC	
DATE	
A/E	E/P
DESIGN	PF
DRAWN	PF
REVIEW	PF
QC	PC
CHEF ARCH/ENGR	
PROJECT MANAGER	PF
FIRE PROTECTION	
BRANCH MANAGER	PC
DESIGN DIRECTOR	JF

NAVY FACILITIES ENGINEERING COMMAND
MARINE CORPS AIR STATION, CHERRY POINT, N.C.
INSTALL NEW FIRE SPRINKLER AIR COMPRESSOR, BLDGS 154 & 155
TITLE SHEET

CODE ID. NO. 80091	SIZE	D
SCALE:	AS SHOWN	
FED. NO.		
STA. PROJ. NO. WR4224150		
SPEC. NO.		
CONSTR. CONTR. NO.		
NAVFAC DRAWING NO. 12531566		
SHEET 1 OF 3		
G-1		
UNIFORM REVISION AUGUST 2002		

1 2 3 4 5

D

D

C

C

B

B

A

A

TO OTHER SPRINKLER RISERS AND AC-154-1

1" Ø COMPRESSED AIR

DRY PIPE SPRINKLER RISER

NEW AIR COMPRESSOR
AC-154-2
SEE SCHEDULE

MAGNETIC MOTOR STARTER

3-#12, 1-#12G
IN 3/4" EMT
TO PANEL "MDP"
≈200 FEET

BLDG 154 PARTIAL MECHANICAL & ELECTRICAL PLAN

SCALE: 1/2" = 1' - 0"

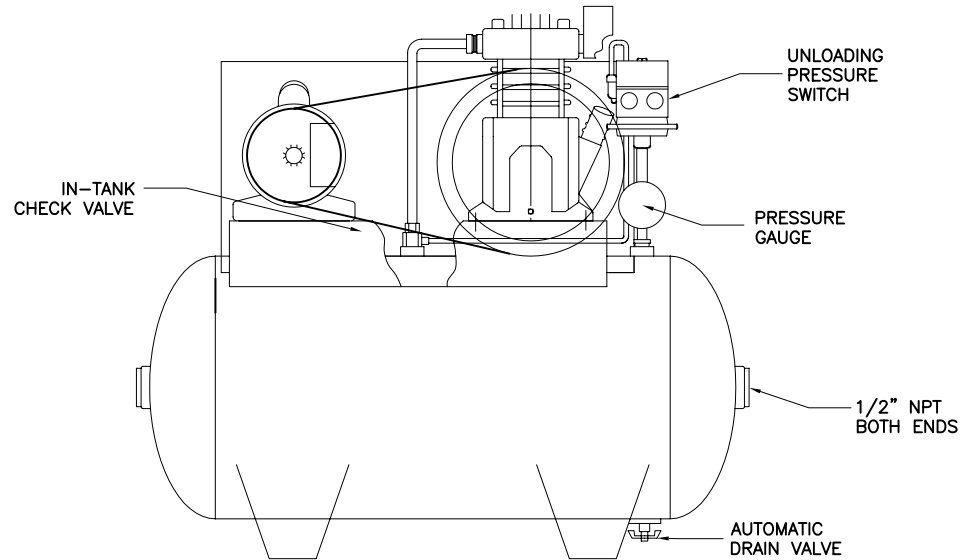


MECHANICAL/ELECTRICAL NOTES:

1. PROVIDE NEMA SIZE Ø MAGNETIC MOTOR STARTER WITH OVERLOADS PER THE NATIONAL ELECTRIC CODE. INSTALL IN SPRINKLER RISER ROOM WITH COMPRESSOR AS INDICATED.
2. INSTALL 3-POLE, 15-AMP CIRCUIT BREAKER IN EXISTING SPACE IN PANEL "MDP" (120/208 VAC, 3Ø, 4W, 400A). PROVIDE UPDATED PANEL SCHEDULE.
3. PROVIDE DRIP LEG WITH AUTOMATIC DRAIN VALVE ON COMPRESSOR OUTLET PIPING.

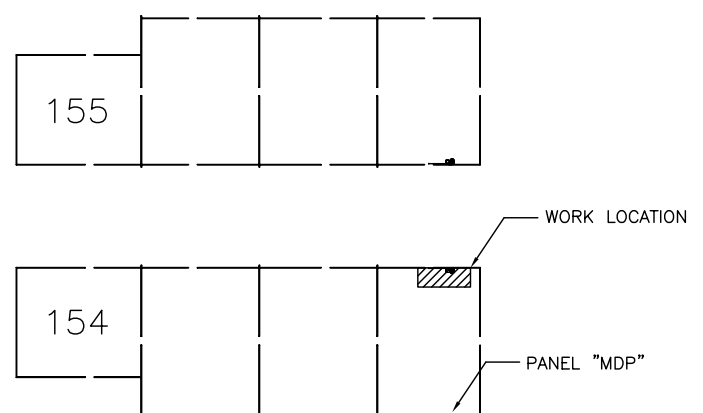
OIL FREE AIR COMPRESSOR SCHEDULE

MARK	FREE AIR DELIVERY CFM	WORKING PRESSURE PSIG	TANK SIZE GAL	ELECTRICAL			MANUFACTURER	MODEL (OR EQUAL)	PRESSURE SWITCH	
				VOLTS	PHASE	HP			START	STOP
AC-154-2	11	40	20	208	3	2	GENERAL AIR PRODUCTS	OL1200V200BCT	30 PSIG	40 PSIG



TYPICAL AIR COMPRESSOR DETAIL

NOT TO SCALE

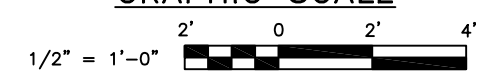


WORK LOCATION PLAN

NOT TO SCALE



GRAPHIC SCALE



DATE	APPR
DESCRIPTION	
DESIGNED & ENGINEERED BY: FACILITIES ENGINEERING MECHANICAL	
final submittal	
APPROVED	
ACTIVITY - SATISFACTORY TO	
DATE	
APPROVED	
FOR ETO FOR COMMANDER NAVFAC	
DATE	
A/E	E/P
DESIGN	PF
DRAWN	PF
REVIEW	PF
QC	PC
CHIEF ARCH/ENGR	PF
PROJECT MANAGER	PF
FIRE PROTECTION	
BRANCH MANAGER	PC
DESIGN DIRECTOR	JF
NAVY FACILITIES ENGINEERING COMMAND MARINE CORPS AIR STATION, CHERRY POINT, N.C.	
INSTALL NEW FIRE SPRINKLER AIR COMPRESSOR, BLDGS 154 & 155	
BLDG 154 PARTIAL MECHANICAL & ELECTRICAL PLAN	
CODE ID. NO. 80091	SIZE D
SCALE: AS SHOWN	
FED. NO.	
STA. PROJ. NO. WR4224150	
SPEC. NO.	
CONSTR. CONTR. NO.	
NAVFAC DRAWING NO. 12531567	
SHEET 2 OF 3	
ME-1	
DAVIDSON REVISION AUGUST 2002	

1 2 3 4 5

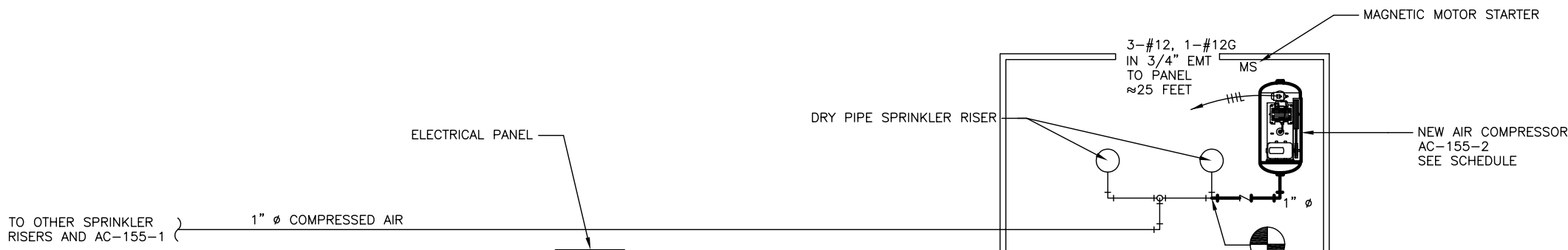
1 2 3 4 5

D

C

B

A

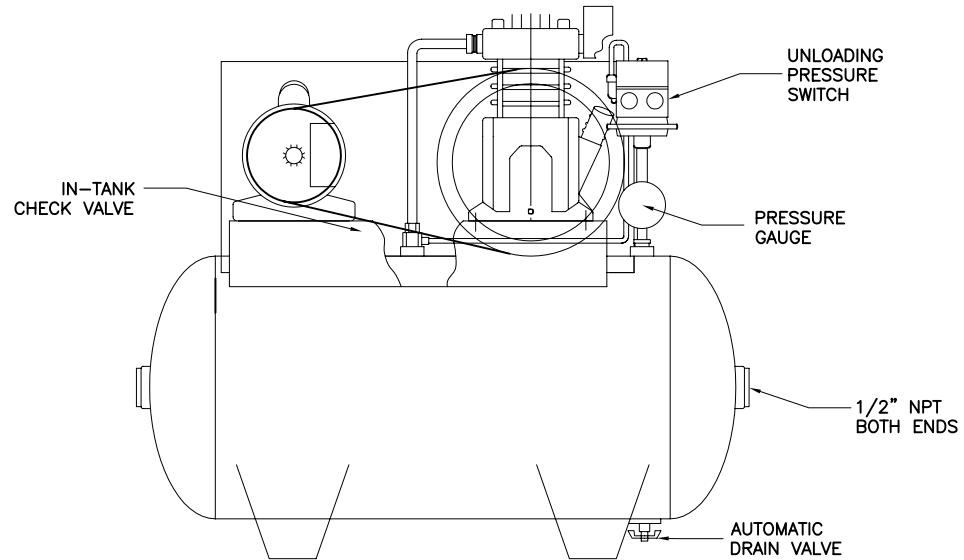


BLDG 155 PARTIAL MECHANICAL & ELECTRICAL PLAN
 SCALE: 1/2" = 1' - 0"

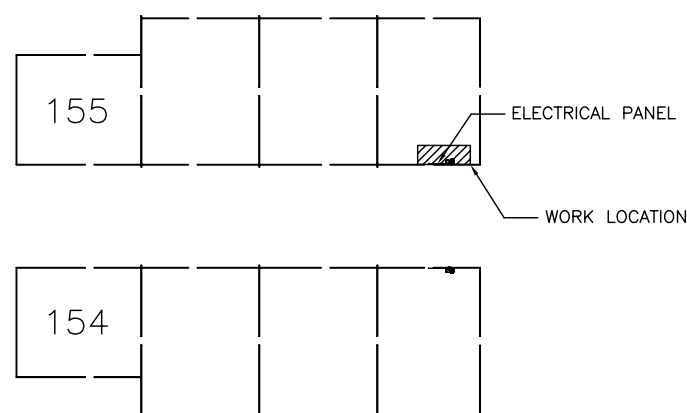
MECHANICAL/ELECTRICAL NOTES:

1. PROVIDE NEMA SIZE Ø MAGNETIC MOTOR STARTER WITH OVERLOADS PER THE NATIONAL ELECTRIC CODE. INSTALL IN SPRINKLER RISER ROOM WITH COMPRESSOR AS INDICATED.
2. INSTALL 3-POLE, 15-AMP CIRCUIT BREAKER IN PANEL INDICATED (120/208 VAC, 3Ø, 4W, 100A). PROVIDE UPDATED PANEL SCHEDULE.
3. PROVIDE DRIP LEG WITH AUTOMATIC DRAIN VALVE ON COMPRESSOR OUTLET PIPING.

AIR COMPRESSOR SCHEDULE										
MARK	FREE AIR DELIVERY CFM	WORKING PRESSURE PSIG	TANK SIZE GAL	ELECTRICAL			MANUFACTURER	MODEL (OR EQUAL)	PRESSURE SWITCH	
				VOLTS	PHASE	HP			START	STOP
AC-155-2	11	40	20	208	3	2	GENERAL AIR PRODUCTS	OL1200V200BCT	30 PSIG	40 PSIG



TYPICAL AIR COMPRESSOR DETAIL
 NOT TO SCALE



WORK LOCATION PLAN
 NOT TO SCALE



GRAPHIC SCALE

1 2 3 4 5

DATE	DESCRIPTION



final submittal

APPROVED	
ACTIVITY - SATISFACTORY TO	
DATE	
APPROVED	
FOR ETO FOR COMMANDER NAVFAC	
DATE	
A/E	E/P
DESIGN	PF
DRAWN	PF
REVIEW	PF
OC	PC
CHIEF ARCH/ENGR	PC
PROJECT MANAGER	PF
FIRE PROTECTION	
BRANCH MANAGER	PC
DESIGN DIRECTOR	JF

DEPARTMENT OF THE NAVY
 NAVAL FACILITIES ENGINEERING COMMAND
 MARINE CORPS AIR STATION, CHERRY POINT, N.C.
INSTALL NEW FIRE SPRINKLER AIR COMPRESSOR, BLDGS 154 & 155
 BLDG 155 PARTIAL MECHANICAL & ELECTRICAL PLAN

CODE ID. NO. 80091	SIZE D
SCALE: AS SHOWN	
FED. NO.	
STA. PROJ. NO. WR4224150	
SPEC. NO.	
CONSTR. CONTR. NO.	
NAVFAC DRAWING NO. 12531568	
SHEET 3 OF 3	
ME-2	

D

C

B

A